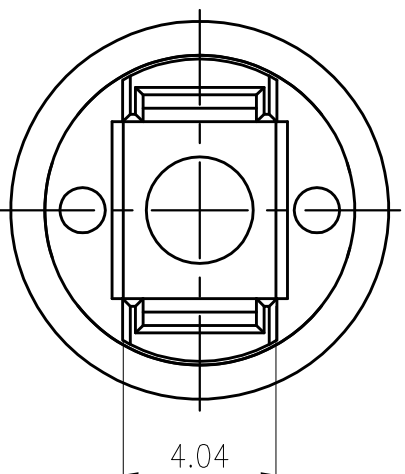
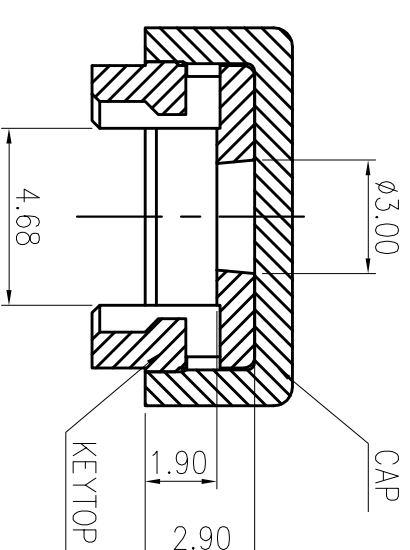
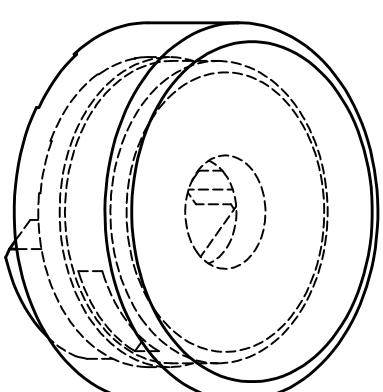
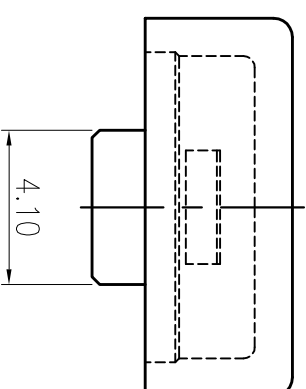
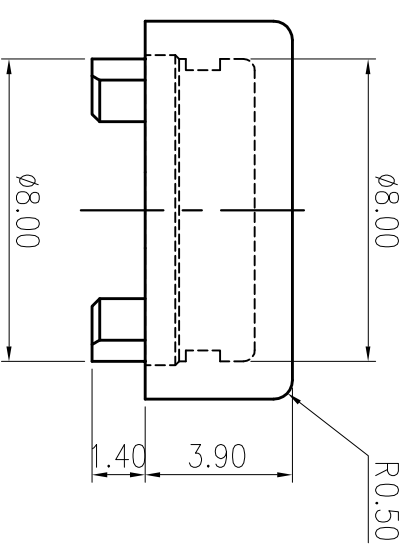
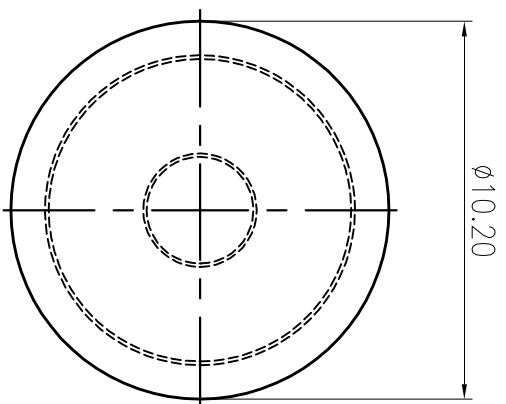


1 2 3 4 5 6 7 8 9 10




PART NO.	COLOR	
	CAP	KEYTOP
KTL-RAY	CLEAR	YELLOW
KTL-RAB	CLEAR	BLUE
KTL-RAR	CLEAR	RED
KTL-RAI	CLEAR	IVOLY
KTL-RAK	CLEAR	BLACK
KTL-RAG	CLEAR	GREEN
KTL-RAS	CLEAR	SALMON

NOTE:  
 1. ALL DIMENSIONS ARE IN MILLIMETERS.  
 BRACKETED DIMENSIONS ARE IN INCHES.  
 2. GENERAL TOLERANCES ±0.3mm

ZONE	REV.	DESCRIPTION	DATE	APPD.
△	A	DWG. REL.		
△				
△				

APPD:	Q' TY:
CHKD:	SCALE: 5/1
DWG:	REV: A
DESIGN:	UNITS: mm


**達實業股份有限公司**  
 DIPTRONICS MANUFACTURING INC.

PART NO: KTL-RA□  
 MAT'L: FINISH:

PART NAME:	CAP
DWG NO:	KTL-RA