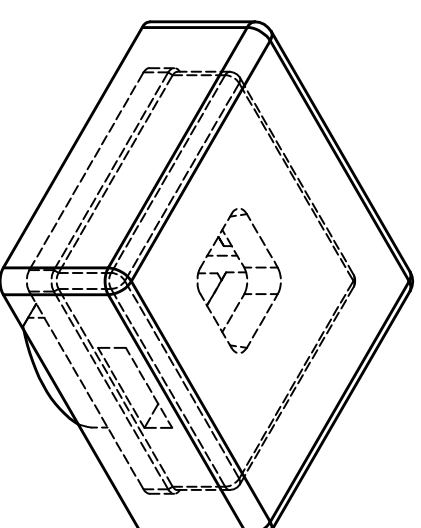
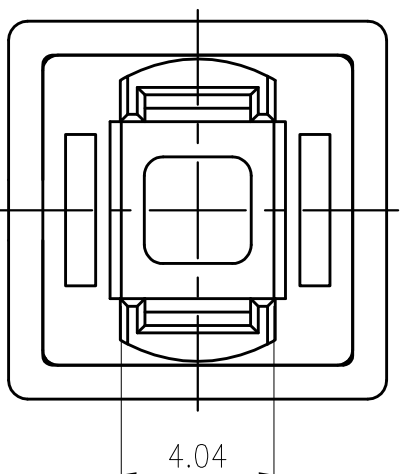
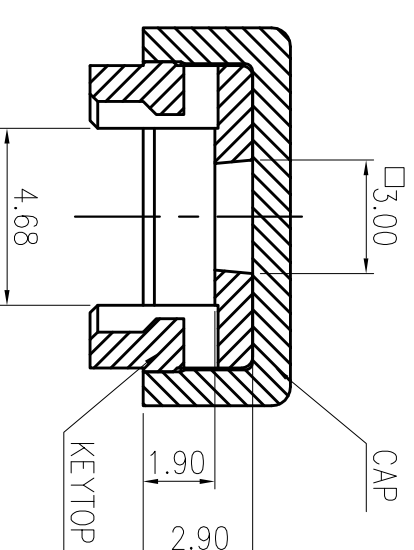
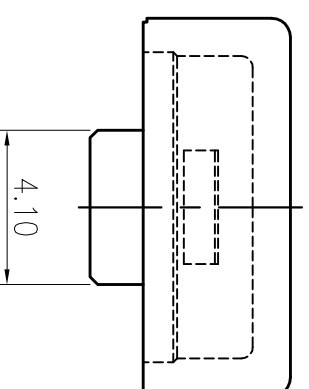
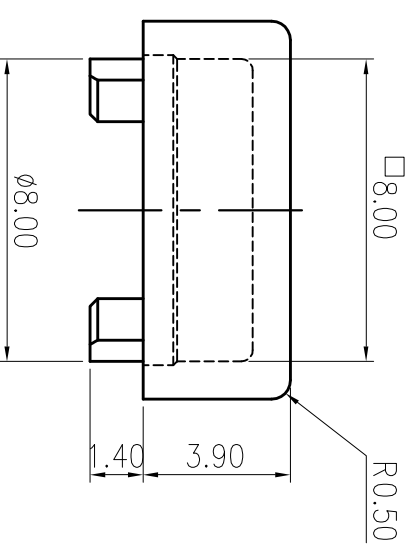
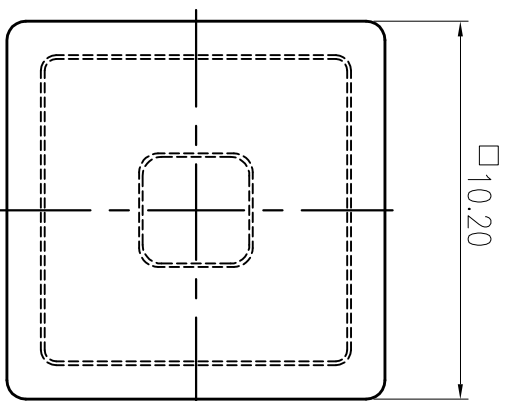


1 2 3 4 5 6 7 8 9 10




PART NO.	COLOR	
	CAP	KEYTOP
KTL-SAY	CLEAR	YELLOW
KTL-SAB	CLEAR	BLUE
KTL-SAR	CLEAR	RED
KTL-SAI	CLEAR	IVOLY
KTL-SAK	CLEAR	BLACK
KTL-SAG	CLEAR	GREEN
KTL-SAS	CLEAR	SALMON

NOTE:

1. ALL DIMENSIONS ARE IN MILLIMETERS. BRACKETED DIMENSIONS ARE IN INCHES.
2. GENERAL TOLERANCES ±0.3mm

ZONE	REV.	DESCRIPTION	DATE	APPD.
△				
△				
△	A	DWG.REL.		

APPD:	Q'TY:
CHKD:	SCALE: 5/1
DWR:	REV: A
DESIGN:	UNITS: mm


**達實業股份有限公司**  
 DIPTRONICS MANUFACTURING INC.

PART NO: KTL-SA □  
 MAT'L: FINISH:

PART NAME:	CAP
DWG NO:	KTL-SA