

# 3600NF SERIES

## SEALED TOGGLE SWITCHES FOR OUTDOOR APPLICATIONS

### Distinctive features and specifications

- Sealing obtained by :**
  - O-ring between lever and bushing
  - half-length boot and nylon washer (supplied mounted)
  - elastomer gasket between cover and case
  - molded-in terminal inserts
  - sealing washer U60
  
- Solid silver contacts**

#### ELECTRICAL SPECIFICATIONS

- Max. current/voltage rating with resistive load : 12A 28VDC - 6A 250VAC
- Initial contact resistance : 10 m $\Omega$  max. at 1A 2VDC
- Insulation resistance : 1.000 M $\Omega$  min. at 500VDC
- Dielectric strength :
  - 2.500 Vrms 50 Hz min. between terminals
  - 3.000 Vrms 50 Hz min. between terminals and frame
- Electrical life : 10.000 cycles at full load

#### MATERIALS

- Case : phenolic resin
- Actuator : brass, nickel plated
- Bushing : brass, nickel plated
- Contacts : solid silver

#### GENERAL SPECIFICATIONS

- Torque : 1,50 Nm (1.10 Ft.lb) max. applied to nut
- Panel thickness : 5 mm (.196) max.
- Operating temperature : -40°C to +85°C

#### AGENCY APPROVAL



**Availability :** consult factory for details or approved models.

**Marking :** to order switches marked UL, complete last box of ordering format.

#### ABOUT THIS SERIES

**Dimensions :** first dimensions are in mm while inches are shown as bracketted numbers.



**Mounting accessories :** 1 hex nut U166. See section N.



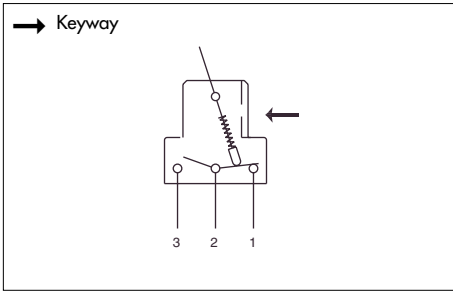
**Packaging unit :** 25 pieces per type and colour.

# 3600NF SERIES

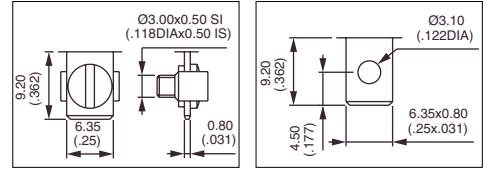
## SEALED TOGGLE SWITCHES FOR OUTDOOR APPLICATIONS

### Screw terminals - solder lug/quick-connect terminals

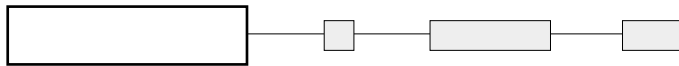
MODEL  
STRUCTURE



- 1 and 2 pole configurations



MODEL  
STRUCTURE



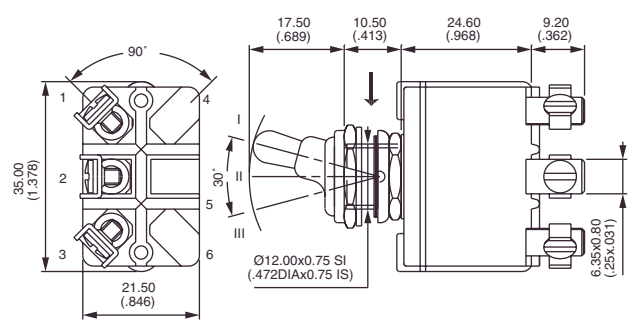
### Screw terminals - single pole

→ Keyway



3631NF  
3635NF  
3636NF  
3637NF  
3638NF  
3639NF

III	II	I
2-1		2-3
ON	-	OFF
MOM	-	ON
ON	-	ON
MOM	OFF	MOM
ON	OFF	MOM
ON	OFF	ON



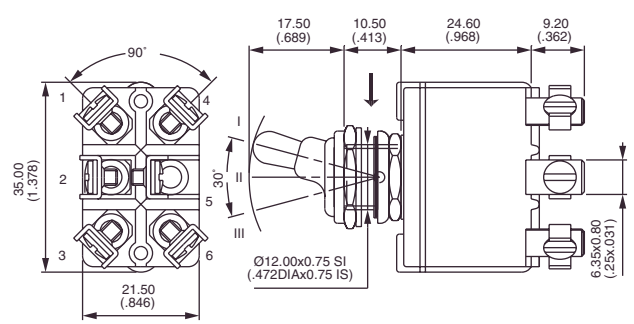
### Screw terminals - double pole

→ Keyway



3641NF  
3644NF\*  
3645NF  
3646NF  
3647NF  
3648NF  
3649NF

III	II	I
2-1		2-3
5-4		5-6
ON	-	OFF
ON	ON	ON
MOM	-	ON
ON	-	ON
MOM	OFF	MOM
ON	OFF	MOM
ON	OFF	ON



\* Function 4 : SP in DP case, see specifications 600H - 600NH series

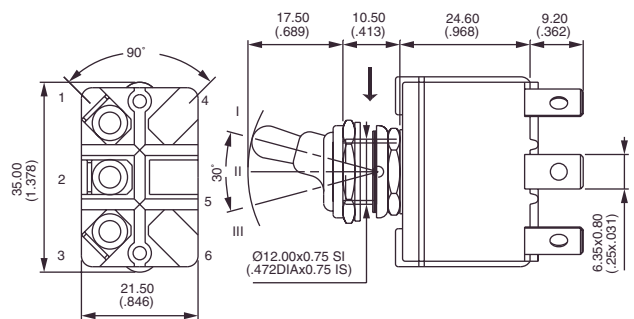
### Solder lug/quick-connect terminals - single pole

→ Keyway



3631NF/2  
3635NF/2  
3636NF/2  
3637NF/2  
3638NF/2  
3639NF/2

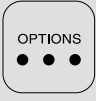
III	II	I
2-1		2-3
ON	-	OFF
MOM	-	ON
ON	-	ON
MOM	OFF	MOM
ON	OFF	MOM
ON	OFF	ON




# 3600NF SERIES

## SEALED TOGGLE SWITCHES FOR OUTDOOR APPLICATIONS

### Solder lug/quick-connect terminals

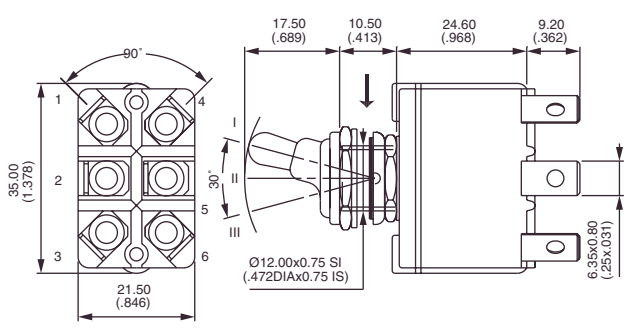


**Solder lug and quick-connect terminals - double pole**

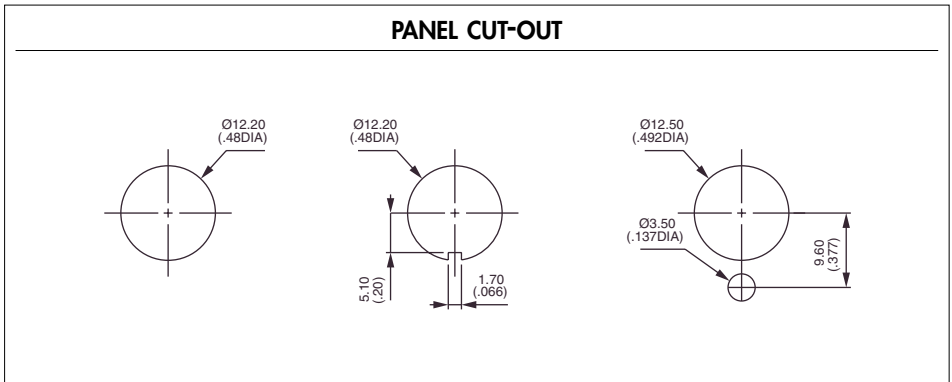


**3641NF/2**  
**3644NF/2\***  
**3645NF/2**  
**3646NF/2**  
**3647NF/2**  
**3648NF/2**  
**3649NF/2**

III	II	I
2-1		2-3
5-4		5-6
ON	-	OFF
ON	ON	ON
MOM	-	ON
ON	-	ON
MOM	OFF	MOM
ON	OFF	MOM
ON	OFF	ON



\* Function 4 : DP in 4P case, see specifications 600H - 600NH series.



**FINISH**

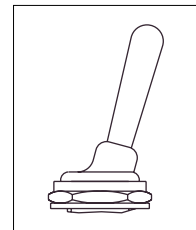


**G** Matt black finish on lever and nut of sealing boot

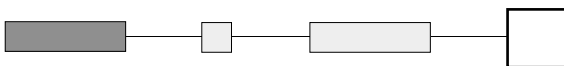
**SPECIAL LEVER**



**X1052** 30 mm (1.181) long lever



**AGENCY APPROVAL**



**UL**

**Marking** : to order switches marked UL, complete above box with "UL".