

# I<sup>Z</sup> series

**New!**

Rear mounted sealed pushbutton switches - bushing Ø 16 mm - latching

*Distinctive features and specifications*

UG1006-A



- Rear mounting for easier installation
- Latching action models
- Sealed to IP67
- Illuminated or non-illuminated
- Flat actuator for optional marking

## ENVIRONMENTAL SPECIFICATIONS

- Front panel sealing : IP67 according to IEC 60529
- Shock resistance : 100 g according to IEC 512-4, test 6c
- Vibration resistance : 10-500Hz - 10 g according to IEC 512-4, test 6d
- Salt spray : IEC 512-6, test 11f
- Operating temperature : -40°C to +85°C

## GENERAL SPECIFICATIONS

- Panel thickness : 3 mm (.118) max.
- Total travel : 2,5 mm (.098) +/- 0,3 mm
- Typical operating force : 5N +/- 2N
- Mechanical life : 200.000 cycles
- Torque : 0,7 Nm max. applied to nut
- Soldering : 320°C max. for 3 sec.

## ELECTRICAL SPECIFICATIONS

- Max. current/voltage rating with resistive load : 100mA 24VDC - 200.000 cycles
- Initial contact resistance : 100 mΩ max.
- Insulation resistance : 1 GΩ min. at 500VDC
- Dielectric strength : 1.500 Vrms between terminals

### LED COMPONENT SPECIFICATIONS

LED colour	Forward current	Typ. forward voltage	Max. forward voltage
Super red (LOS)	20mA	1,95V	1,95V
Yellow (LOY)	20mA	2V	2,05V
Green (LOG)	20mA	3,2V	3,70V
Blue (LOB)	20mA	3,2V	4V

A resistor must be series-connected by the user.

Resistor value =  $\frac{\text{supply voltage} - \text{LED forward voltage}}{\text{LED forward current}}$

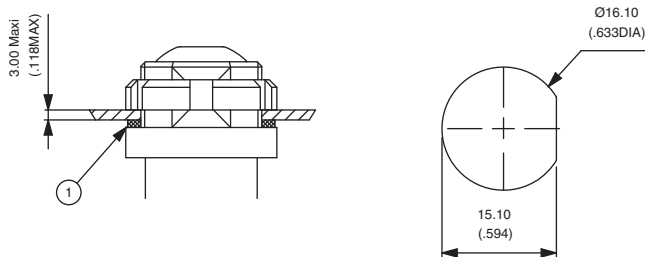
On flying lead versions, the LED resistor can be integrated by APEM on request.

## MATERIALS

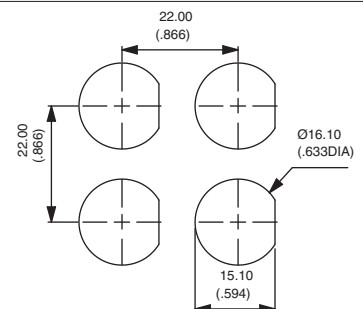
- Case : thermoplastic UL94-V0
- Plunger : polyamide
- Bushing/bezel : polyamide
- Contacts : silver, gold plated
- Multi-wire lead AWG20, section 0,6 mm<sup>2</sup>
- LED wire : AWG26, section 0,12 mm<sup>2</sup>
- Lens : polycarbonate
- Terminal seal : epoxy

## PANEL CUT-OUT

① Flat seal



## MATRIX MOUNTING

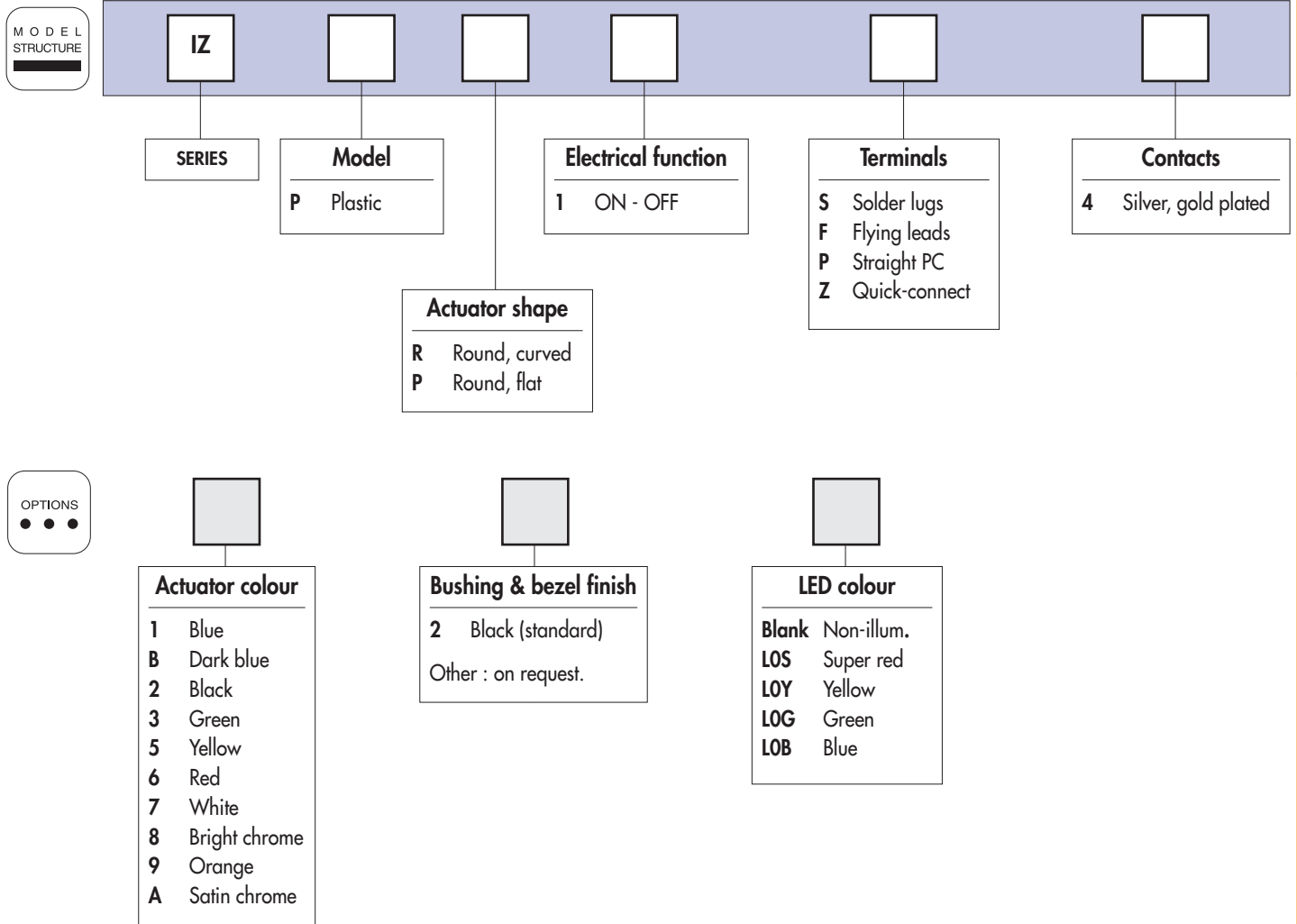


# New!

# IZ series

## Rear mounted sealed pushbutton switches - bushing Ø 16 mm - latching

*Distinctive features and specifications*



### ABOUT THIS SERIES

On the following pages, you will find successively :  
model structure of switches and options in the same order as in above chart

**Dimensions** : first dimensions are in mm while inches are shown as bracketted numbers.



**NOTICE** : please note that not all combinations of above numbers are available.  
Refer to the following pages for further information.



**Mounting accessories** : Standard hardware supplied : 1 castellated black plastic nut U4249 and 1 silicone flat seal.



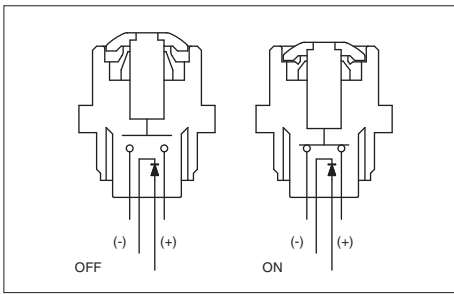
**Packaging unit** : 25 pieces for flying lead models - 40 pieces for other models

# IZ series

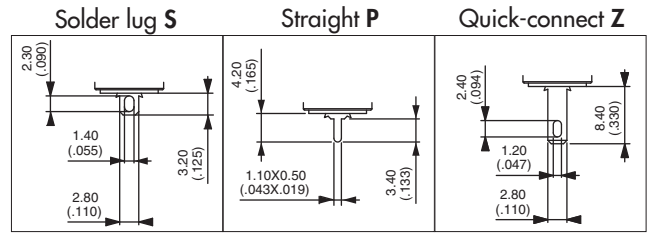
**New!**

Rear mounted sealed pushbutton switches - bushing Ø 16 mm - latching

*Illuminated*



- Four LED colours
- Tin plated LED terminals
- Gold plated contacts



## MODEL STRUCTURE



Plunger marking available on IZPP models (symbol 10 mm max.). On request.

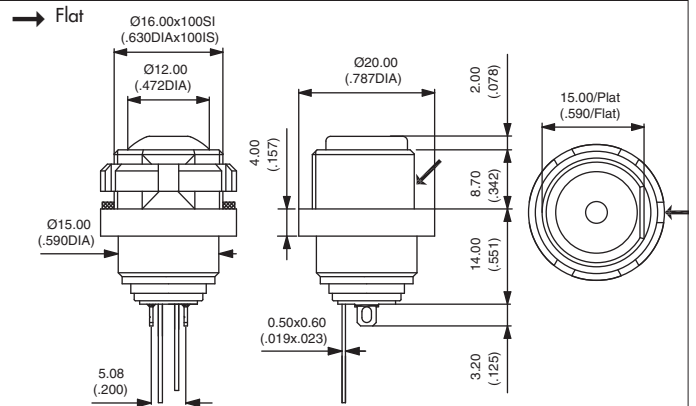
## Solder lug terminals



Curved actuator  
**IZPR1S4** ON - OFF

Flat actuator  
**IZPP1S4** ON - OFF

Also available with straight PC terminals : **IZP•1P4** and quick-connect terminals : **IZP•1Z4**.



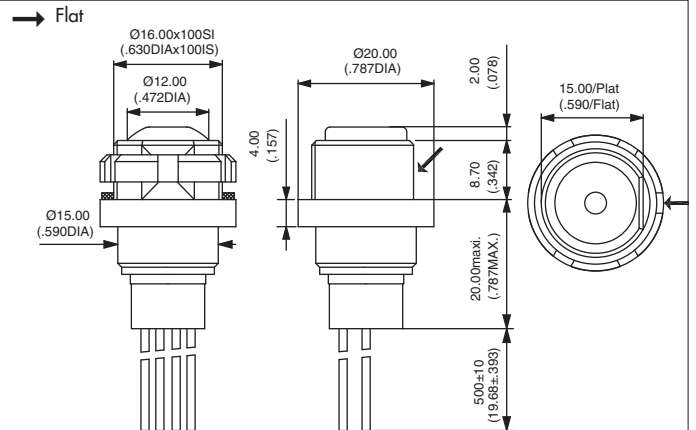
## Sealed flying lead terminals



Curved actuator  
**IZPR1F4** ON - OFF

Flat actuator  
**IZPP1F4** ON - OFF

Wire colours : black : NO contact,  
red : LED anode(+), blue : LED cathode (-)

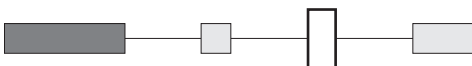


## ACTUATOR COLOUR



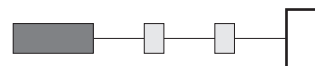
1 : blue - B : dark blue - 2 : black - 3 : green - 5 : yellow - 6 : red - 7 : white - 8 : bright chrome - 9 : orange  
A : satin chrome

## BUSHING AND BEZEL COLOUR



2 : black (standard)  
Other : on request.

## LED COLOUR



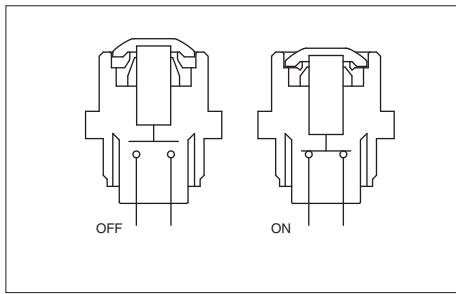
LOS : super red - LOY : yellow - LOG : green  
LOB : blue

**New!**

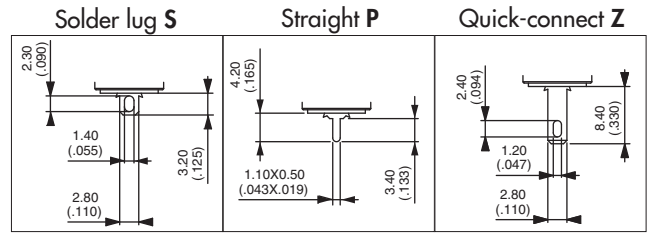
# IZ series

Rear mounted sealed pushbutton switches - bushing Ø 16 mm - latching

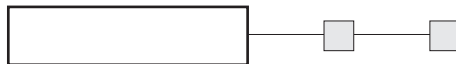
*Non-illuminated*



- Gold plated contacts



**MODEL STRUCTURE**



Plunger marking available on IZPP models (symbol 10 mm max.). On request.

## Solder lug terminals



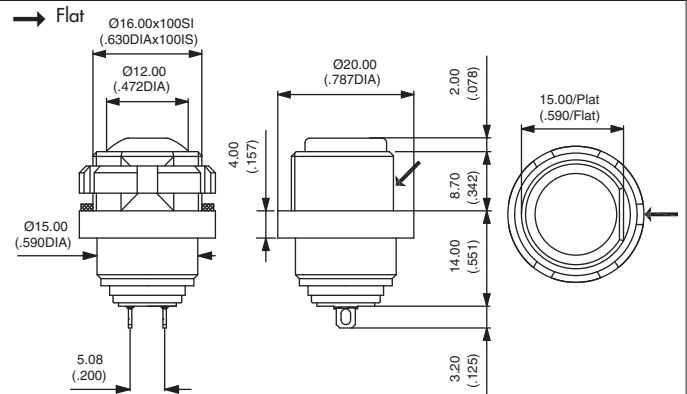
Curved actuator  
**IZPR1S4**

ON - OFF

Flat actuator  
**IZPP1S4**

ON - OFF

Also available with straight PC terminals : **IZP•1P4** and quick-connect terminals : **IZP•1Z4**.



## Sealed flying lead terminals

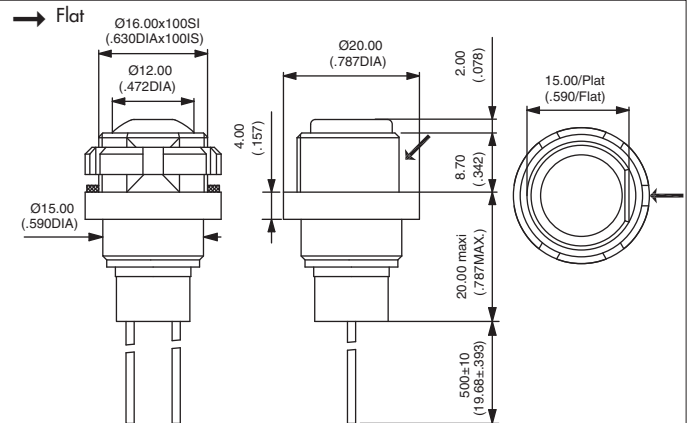


Curved actuator  
**IZPR1F4**

ON - OFF

Flat actuator  
**IZPP1F4**

ON - OFF



## ACTUATOR COLOUR



1 : blue - B : dark blue - 2 : black - 3 : green - 5 : yellow - 6 : red - 7 : white - 8 : bright chrome - 9 : orange  
A : satin chrome

## BUSHING AND BEZEL COLOUR



2 : black (standard)  
Other : on request.