

APEM®

APEM COMPONENTS, INC.
U.S.A. 1-877-246-7890
FAX: (781)-245-4531
E-MAIL: INFO@APEM.COM

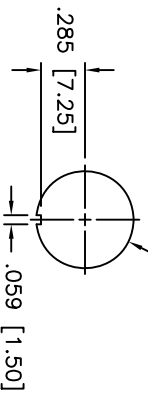
A01 SERIES ASSEMBLY INSTRUCTIONS

STEP 1

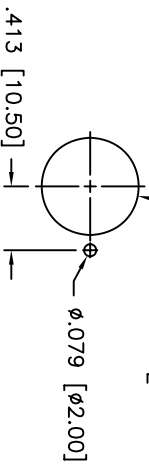
DRILL OR PUNCH HOLE INTO PANEL USING ONE OF THE SIZES BELOW.

ROUND & SQUARE OPERATORS

$\phi .630_{\pm .006}^{+.012}$ [$\phi 16.00_{\pm 0.30}^{+0.30}$]



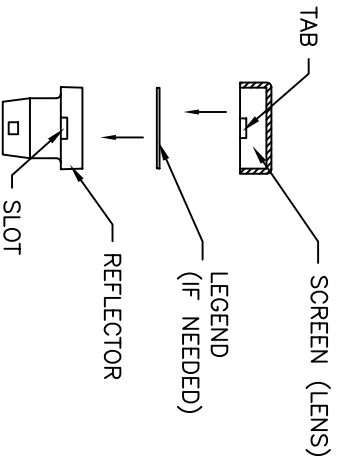
RECTANGULAR OPERATORS



TITLE	A01 SERIES INSTRUCTIONS		DRAWN	RAC
DATE	DRAWING NUMBER	REV	APPROVED	
11/03/98	AQ23	-		
REVISION RECORD				
DATE			DWN.	OK.

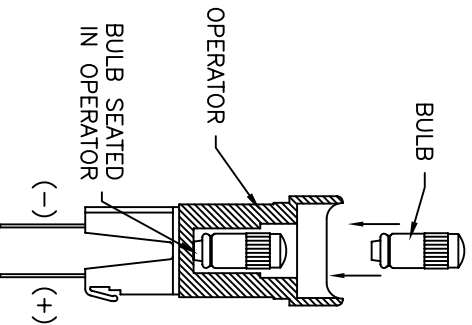
STEP 2

PLACE LEGEND (IF NEEDED) ON REFLECTOR AND SNAP SCREEN ONTO REFLECTOR BY LINING UP THE TABS ON THE SCREEN WITH THE SLOTS ON THE REFLECTOR AS SHOWN BELOW. MAKE SURE THAT THE SCREEN IS FIRMLY ATTACHED TO THE REFLECTOR.



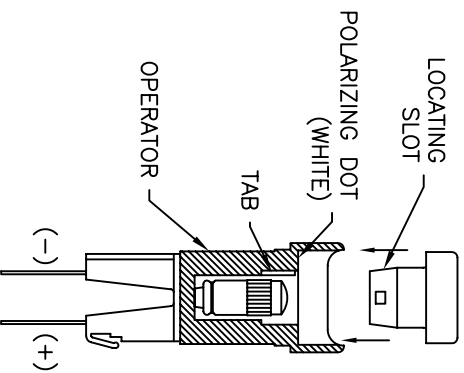
STEP 3

PLACE BULB DOWN INSIDE OF THE CENTER HOLE IN THE OPERATOR UNTIL BULB BOTTOMS OUT AS SHOWN.



STEP 4

LINE UP THE LOCATING SLOT ON THE REFLECTOR ASSEMBLY WITH WHITE POLARIZING DOT OR THE TAB INSIDE, WITH BOTH PIECES LINED UP PRESS THE REFLECTOR FIRMLY IN PLACE.



STEP 5

PLACE PANEL SEAL ONTO OPERATOR AS SHOWN BELOW. AFTER PANEL SEAL IS ON, PLACE OPERATOR IN THE PANEL AS SHOWN BELOW. HAND TIGHTEN FIXING NUT. (DO NOT OVER TIGHTEN)

