



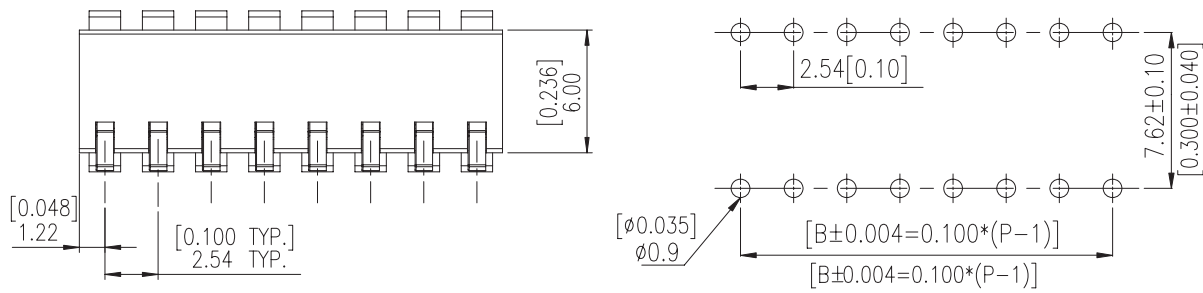
APEM

# EPI & EPM SERIES



## DIMENSIONS

### EPI(R)-V



P.C.B. LAYOUT

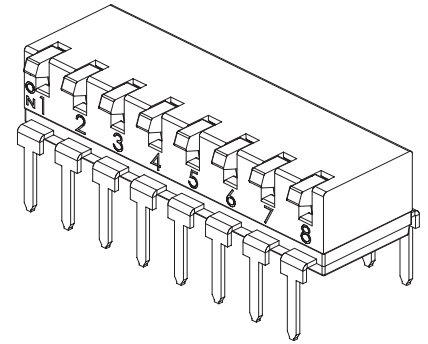
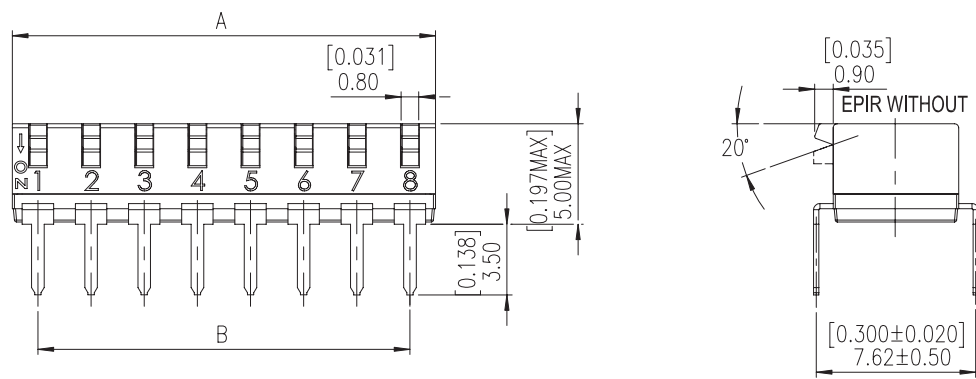


Table 1

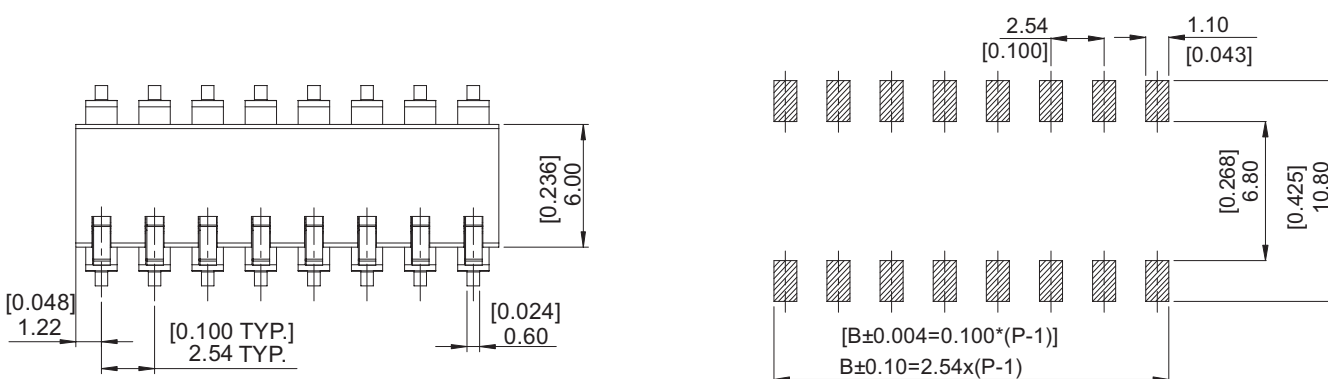
EPI(R)-10-V	10	25.30[.996]	22.86[.900]
EPI(R)-08-V	8	20.22[.796]	17.78[.700]
EPI(R)-06-V	6	15.14[.596]	12.70[.500]
EPI(R)-04-V	4	10.06[.396]	7.62[.300]
EPI(R)-02-V	2	4.98[.196]	2.54[.100]
PROD. NO.	NO. OF POS.	DIM. A	DIM. B

SCHEMATIC(TYP.)



General Tolerance : ±0.2mm

### EPM(R)-V



P.C.B. LAYOUT

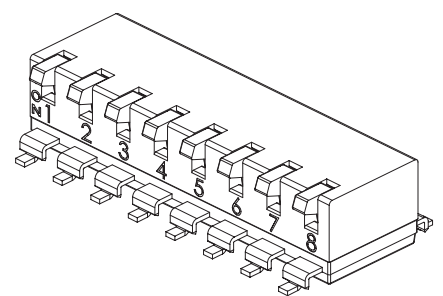
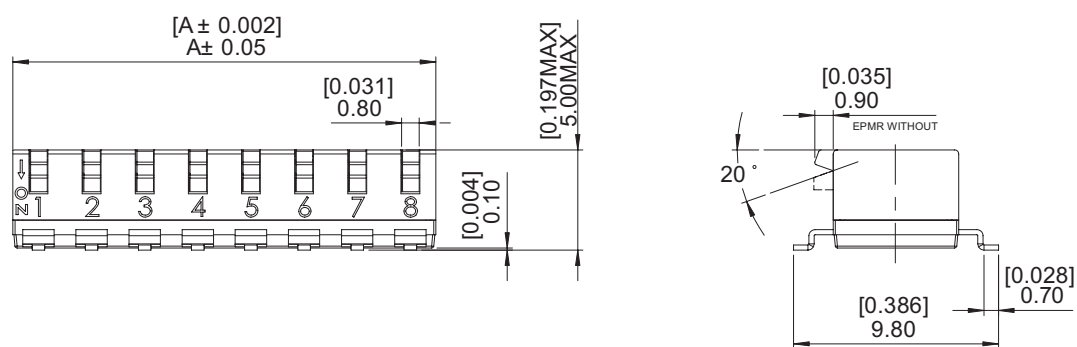
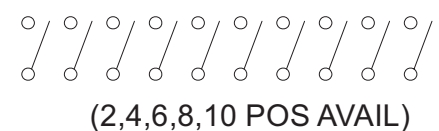


Table 1

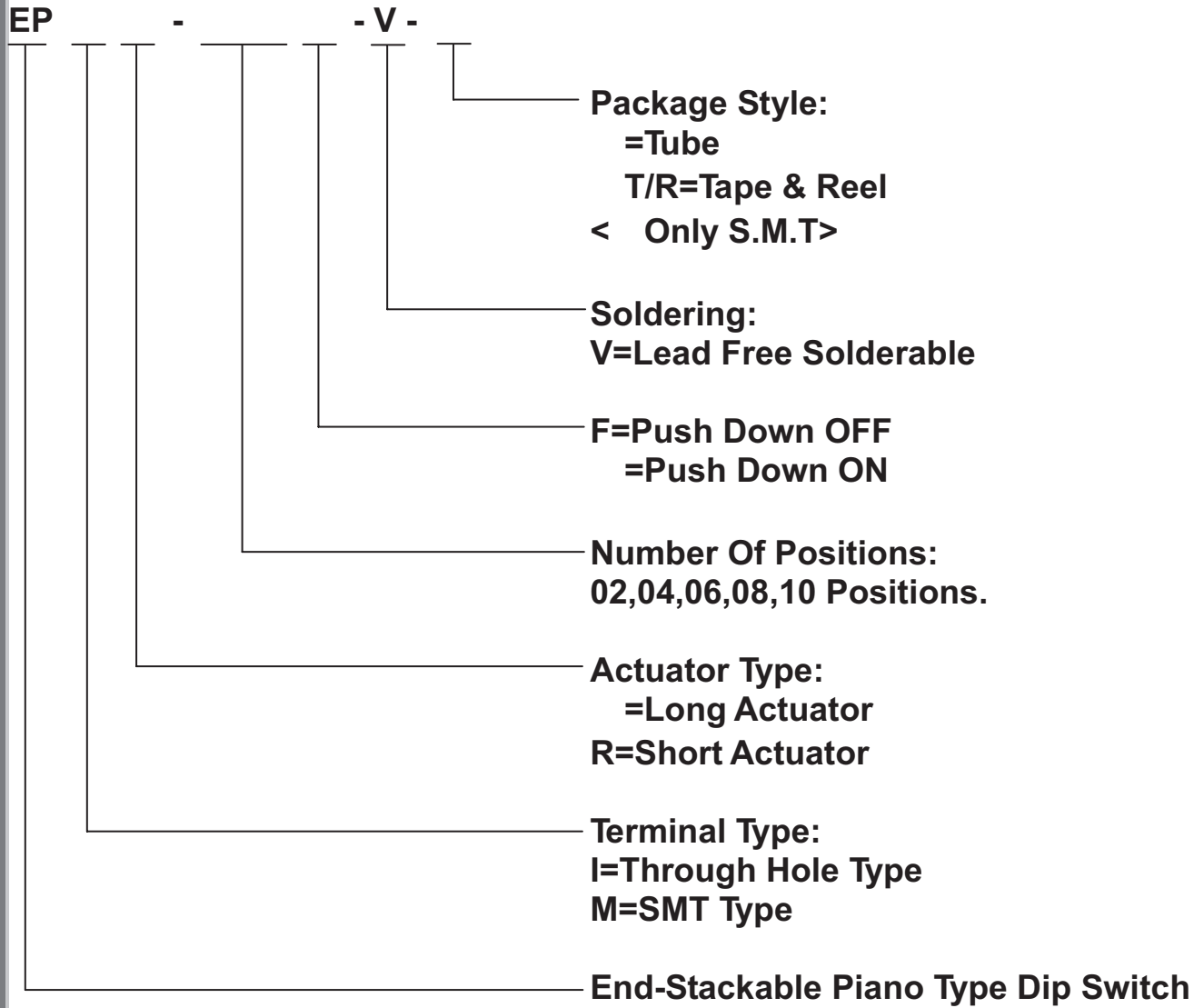
EPM(R)-10-V	10	25.30[.996]	22.86[.900]
EPM(R)-08-V	8	20.22[.796]	17.78[.700]
EPM(R)-06-V	6	15.14[.596]	12.70[.500]
EPM(R)-04-V	4	10.06[.400]	7.62[.300]
EPM(R)-02-V	2	4.98[.196]	2.54[.100]
PROD. NO.	NO. OF POS.	DIM. A	DIM. B

SCHEMATIC(TYP.)



General Tolerance : ±0.2mm

## HOW TO ORDER



## SPECIFICATION

### MECHANICAL

Operation Force: 800gf max.  
Operation Temperature Range: -20°C to +85°C.  
Storage Temperature Range: -40°C to +85°C.  
Mechanical Life: 2,000 cycles.

### ELECTRICAL

Electrical Life: 2,000 cycles.  
Rating: 25mA,24VDC  
Contact Resistance: 100mΩ max, at 500 VDC.  
Insulation Resistance: 100MΩ max, at 500 VDC.  
Dielectric Strength: 500VAC / 1 minute.  
Circuit: Single pole single throw.

## MATERIAL

COVER: UL94V-0 Nylon High-Temp Thermoplastic.  
Color: Black  
BASE: UL94V-0 Nylon High-Temp Thermoplastic.  
Color: Black  
STEM: UL94V-0 Nylon High-Temp Thermoplastic.  
Color: White  
CONTACT: Alloy Copper with gold cladding.  
TERMINAL : Brass with gold cladding.

## SOLDERING PROCESS

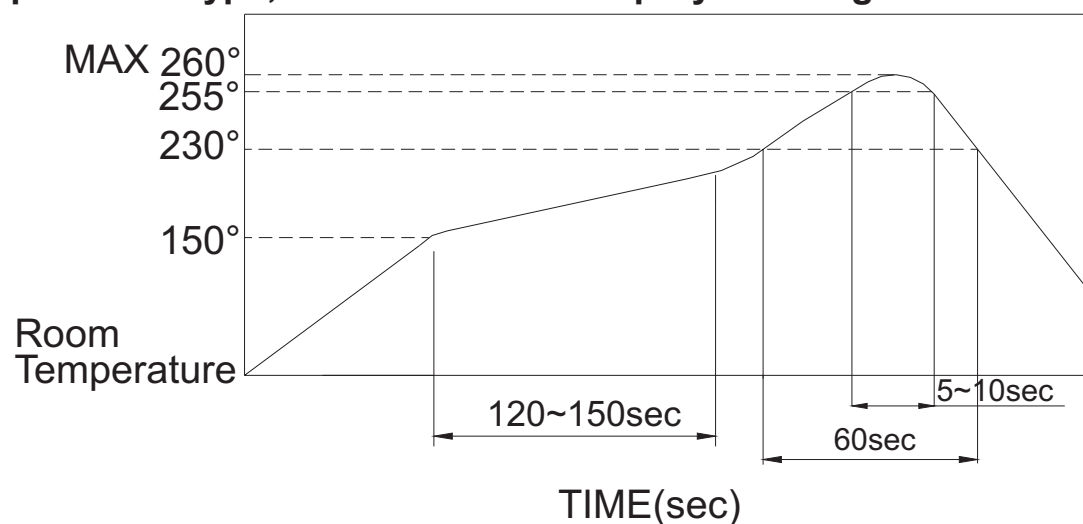
**WAVE SOLDERING:** Recommended solder temperature at 500°F(260°F) max. of 5 seconds for through hole type.

**HAND SOLDERING:** Use a soldering iron of 30 watts, controlled at 350°F approximately max 5 seconds while applying.

**REFLOW SOLDERING:** When applying reflow soldering, the peak temperature or the reflow Oven should be set at 260°F max.

Do not wash the switch except top tape sealed type, which suitable for spray cleaning method from top of the s/w.

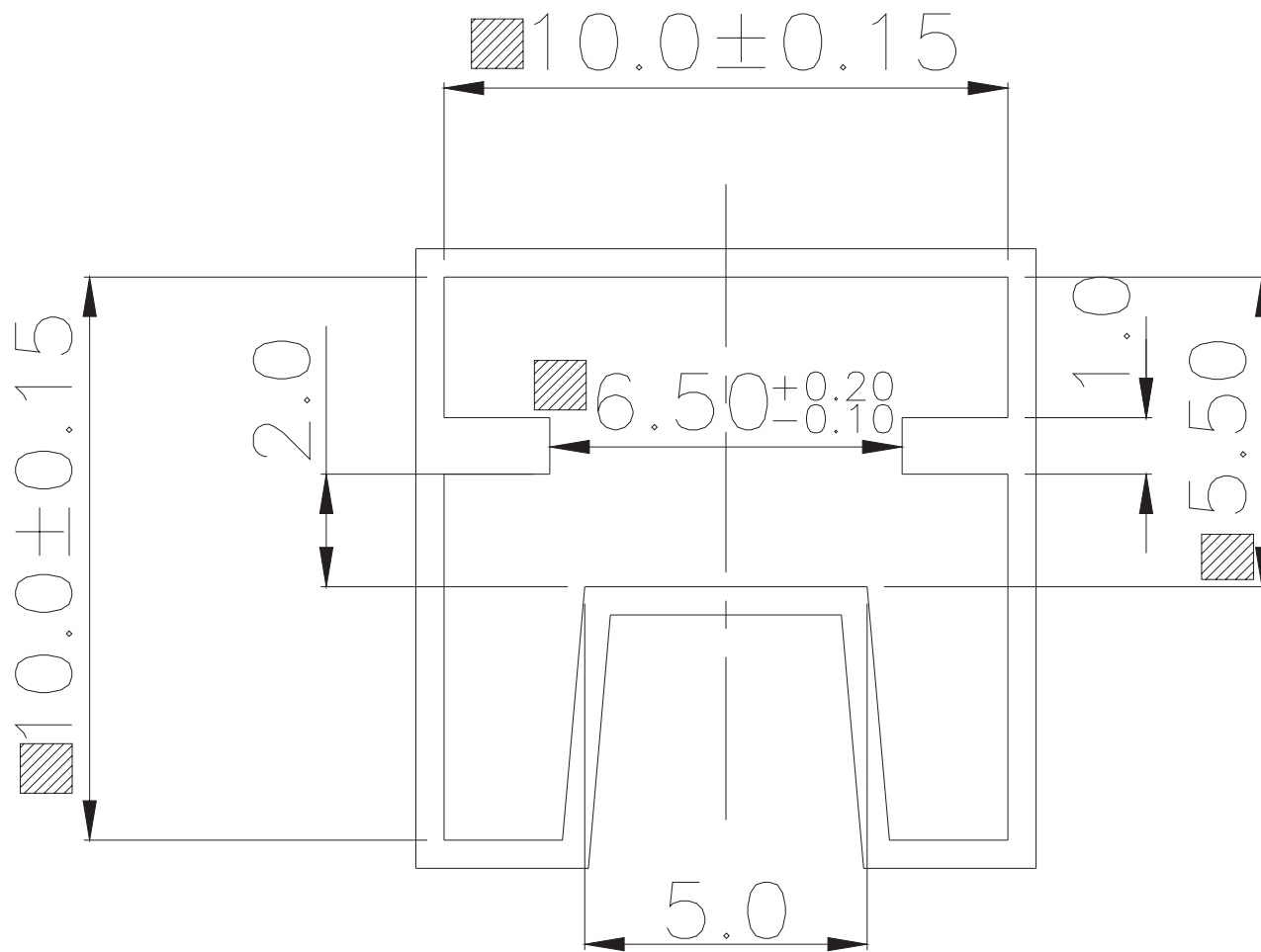
Reflow Temperature Profile:



# PACKING

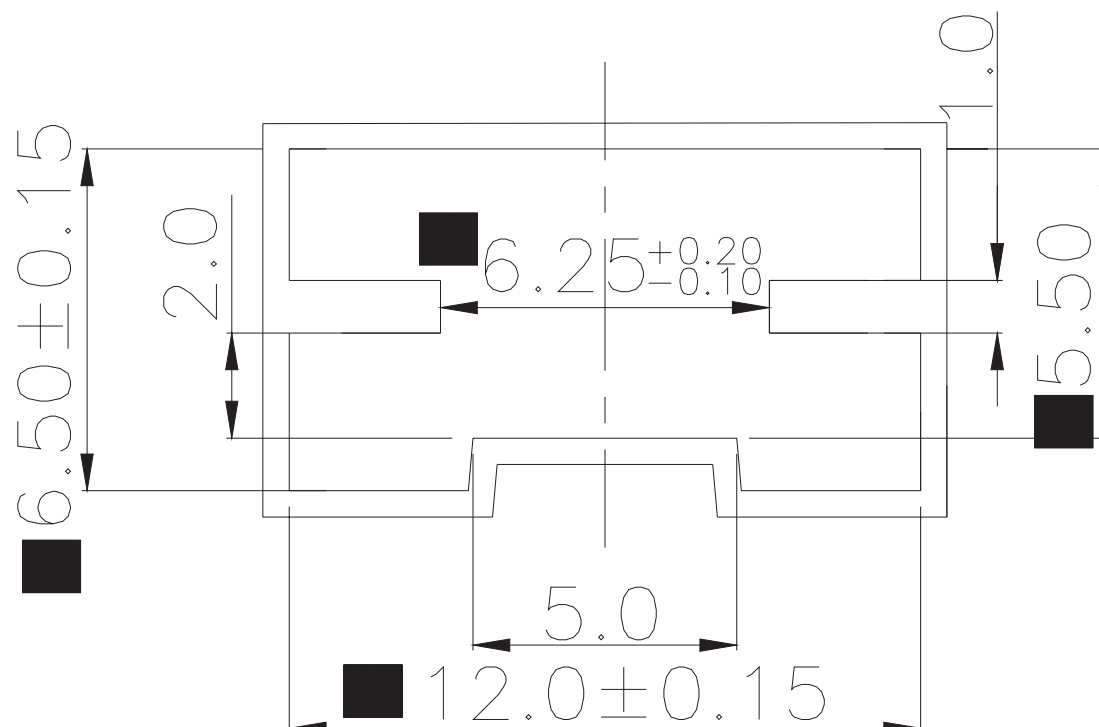
Part Number	Number Per TUBE	Number Per Reel
EPI(R), EPM(R)-02	95	-
EPI(R), EPM(R)-04	47	-
EPI(R), EPM(R)-06	31	-
EPI(R), EPM(R)-08	23	-
EPI(R), EPM(R)-10	18	-
EPM(R)-02.04 06.08 10		700

## EPI TUBE



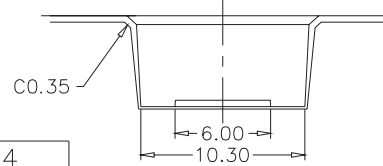
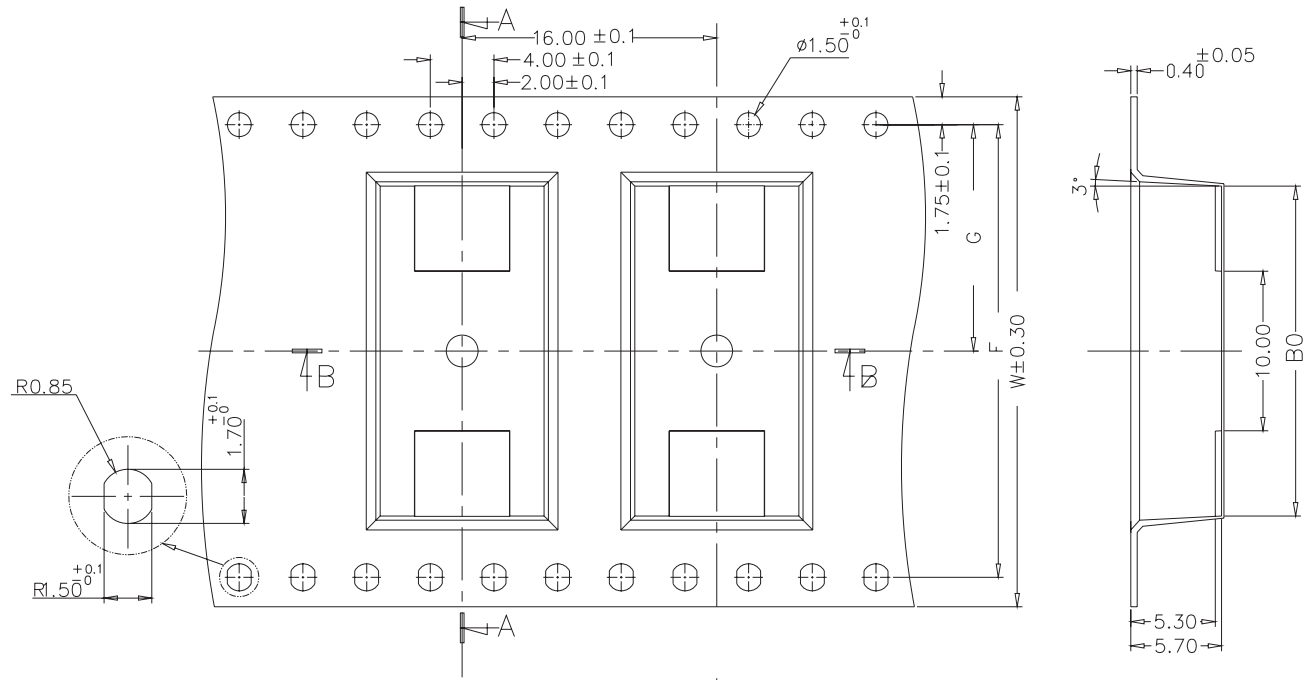
General Tolerance :  $\pm 0.2\text{mm}$

## EPM TUBE



General Tolerance :  $\pm 0.2\text{mm}$

**EPM REEL**



A-A Section

B-B Section

6262A0000	EPM(R)-10	40.40	20.20	25.70	44
626280000	EPM(R)-08	28.40	14.20	20.70	32
626260000	EPM(R)-06		11.50	15.60	24
626240000	EPM(R)-04			10.50	
626220000	EPM(R)-02			7.50	
PART NO:	PART NAME:	F	G	B0	W±0.3

General Tolerance : ±0.1mm