



# APEM

## IPD Launch

USB desktop controllers



Featuring ten programmable pushbuttons and a three axes Resistive joystick, the IPD Launch is an economical option for security professionals. Easy to operate and install with USB interface, the IPD Launch is a joystick solution for any size security installation.

### KEY FEATURES

- 3 axes joystick for P/T/Z control
- Ten pushbutton switches
- USB 1.1 HID compliant "game controller"
- Easy to use and operate



# IPD Launch

## USB desktop controllers

### SPECIFICATIONS

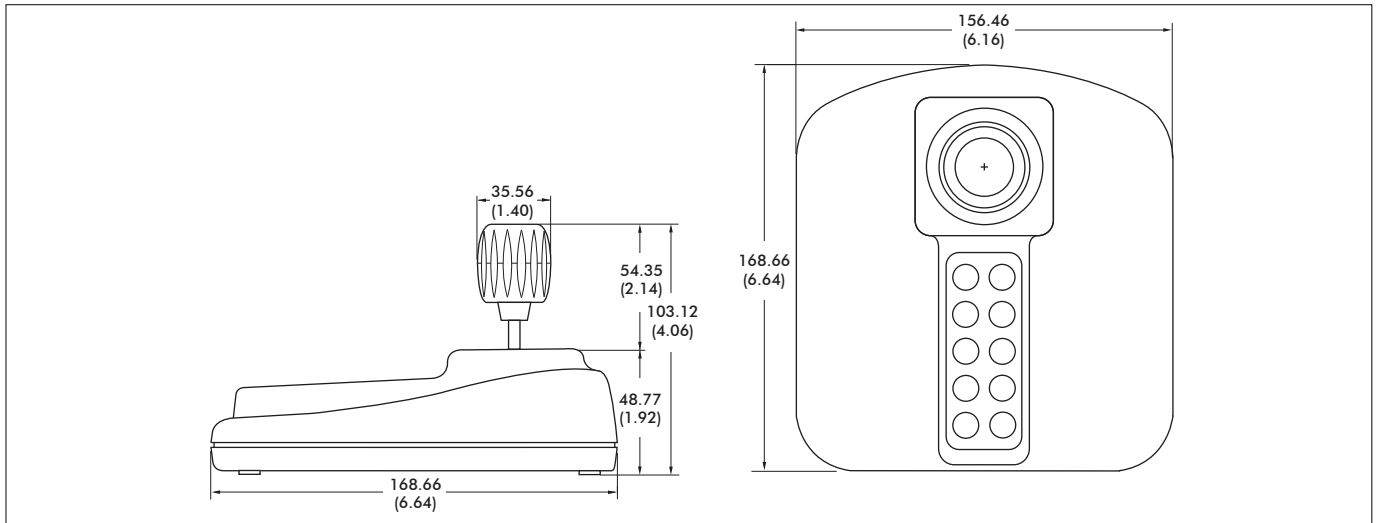
Joystick performance	–	Resistive three axes joystick
	–	X/Y/Z for positioning control
Joystick travel	–	36° for X and Y axes
	–	56° for Z axis
Centering	–	Dual spring, omni-directional
Joystick shaft	–	Nickel plated brass
Joystick boot	–	Thermostatic elastomer
Joystick handle	–	Glass filled nylon
Pushbutton performance	–	10 tactile pushbuttons on housing rated for 3,000,000 life cycles
Desktop housing	–	High impact ABS
Power	–	Via USB interface (5V DC)
	–	Consumption 32mA
Operating conditions	–	-25 to +85°C (-13 to +185°F)
Approvals	–	EN 55024:1998, EN 55022, CE
	–	FCC Part 15 Subpart B Class B
	–	RoHs compliant
Weight	–	435 g (0.96lb)
Interface	–	USB port
Connectors	–	USB Type A Male
	–	Cable Length: 2m; 6ft. 6.8in.
Systems support integration	–	Windows 7, Vista, XP, 2000
Supported protocols	–	USB HID 1.1 game controller
	–	Direct X (Gaming Control)
	–	Joystick: Three HID axes
	–	Pushbuttons: 10 HID buttons
	–	Uses standard DirectX HID drivers
	–	Connects directly to workstation PC
Environmental	–	For indoor use only

NOTE:  
All values are nominal

# IPD Launch

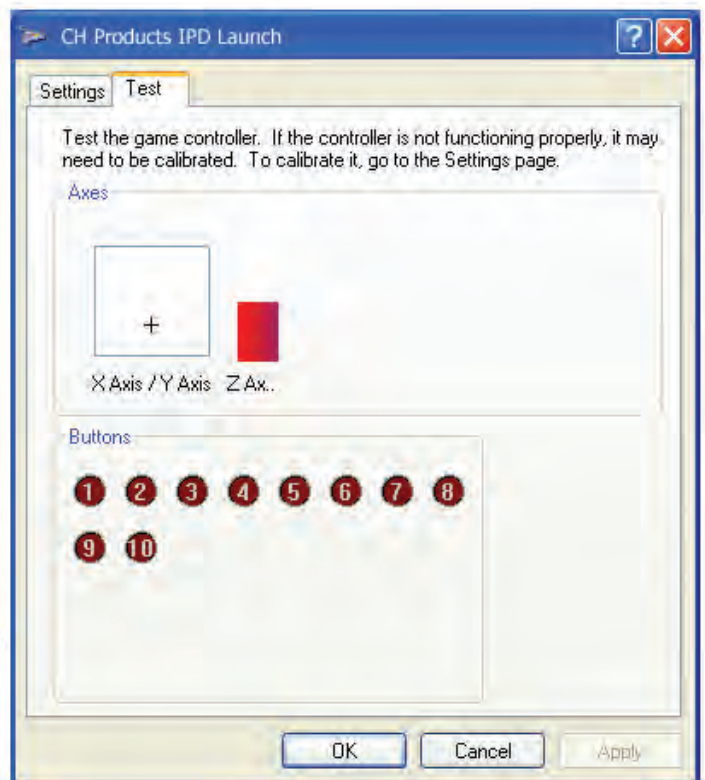
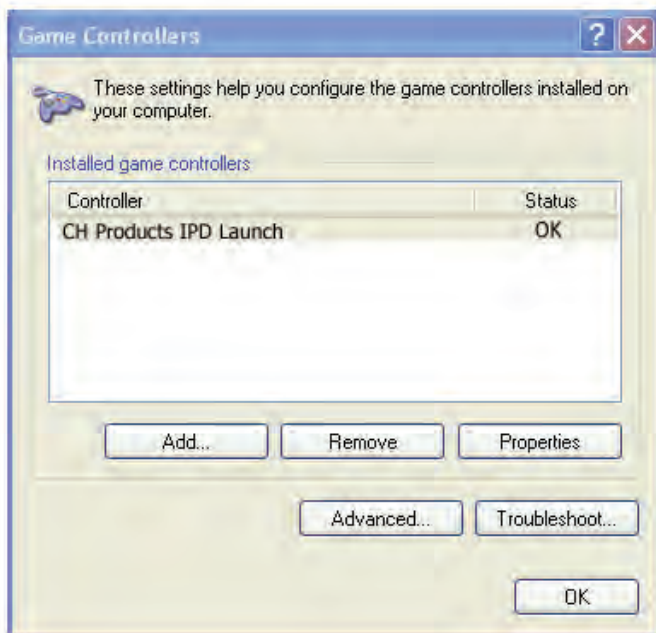
USB desktop controllers

DIMENSIONAL DRAWINGS



Note: Dimensions are in mm/(inch)

## USB 1.1 HID COMPLIANT GAME CONTROLLER



Note: To order the IPD Launch please refer to Part Number 100-450.