


AK(Z) 1100/.. - 5,0 (5,08) - green

2-20 (16) poles, Spacing 5,0 mm or 5,08 mm
insert required no. of poles ..

How to order see page 11

Ratings:

	* 	
Rated Voltage	300 V	250 V
Rated Current	15 A	12 A (T60)
Oversvoltage Category		III
Wire Size	AWG 22-10	2,5 mm ²
Rating Impulse Voltage/Dirt Level		4 kV/3
Rated Torque / Screw Size		0,5 Nm/M3

Max. Rated Cross Section

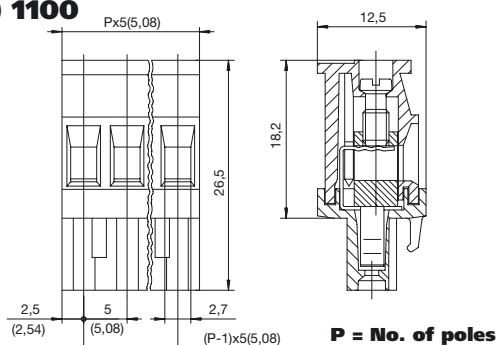
Single Wire (solid)	2,5 mm ²
Stranded Wire (flexible)	2,5 mm ²
Stranded wire with Ferrules	2,5 mm ²

Dimensions

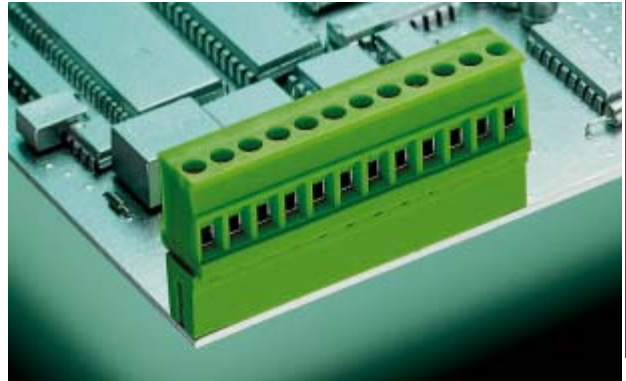
Spacing	5,0 mm (5,08 mm)
Stripped Length	7,0 mm

Materials

Insulating Material	PA
Flammability Class	UL94 V-0
Temperature Range	-30°C/+105°C
Terminal Block	CuZn
Contact	CuSn
Colour	green
	RAL 6018

AK(Z) 1100




* E 151279, Typ: BU 02.../BU 06...


AK(Z) 1110/.. - 5,0 (5,08) - green

2-20 (16) poles, Spacing 5,0 mm or 5,08 mm
insert required no. of poles ..

How to order see page 11

Ratings:

	* 	
Rated Voltage	300 V	250 V
Rated Current	15 A	12 A (T60)
Oversvoltage Category		III
Wire Size	AWG 22-10	2,5 mm ²
Rating Impulse Voltage/Dirt Level		4 kV/3
Rated Torque / Screw Size		0,5 Nm/M3

Max. Rated Cross Section

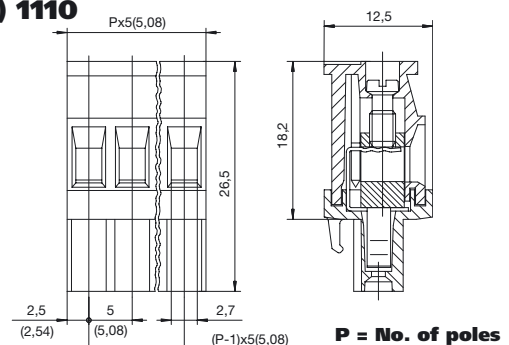
Single Wire (solid)	2,5 mm ²
Stranded Wire (flexible)	2,5 mm ²
Stranded wire with Ferrules	2,5 mm ²

Dimensions

Spacing	5,0 mm (5,08 mm)
Stripped Length	7,0 mm

Materials

Insulating Material	PA
Flammability Class	UL94 V-0
Temperature Range	-30°C/+105°C
Terminal Block	CuZn
Contact	CuSn
Colour	green
	RAL 6018

AK(Z) 1110


* E 151279, Typ: BU 04.../BU 08...