





AKZ 120/.. DS - 5,08 - V - grey

2-12 poles, Spacing 5,08 mm
insert required no. of poles ..

How to order see page 11

Ratings:

		
Rated voltage	300 V	250 V
Rated current	15 A	24 A (T60)
Wire Size	AWG 22-14	2,5 mm ²
Test voltage		2,0 kV
Rated Torque / Screw Size		0,5 Nm/M3

Max. Rated Cross Section

Single Wire (solid)	2,5 mm ²
Stranded Wire (flexible)	1,5 mm ²
Stranded wire with Ferrules	1,5 mm ²

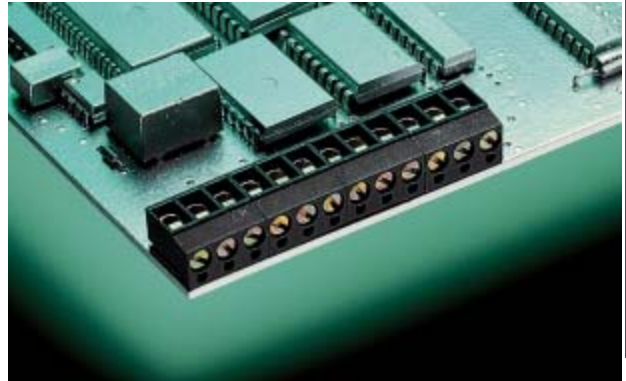
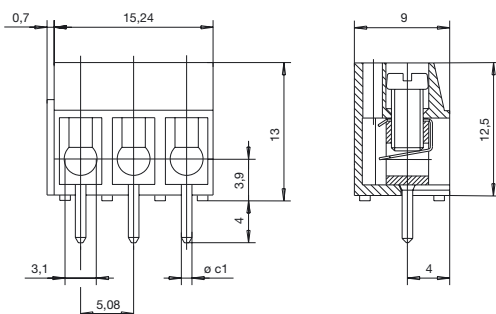
Dimensions

Spacing	5,08 mm
PCB hole diameter	1,3 mm
Stripped length	7,0 mm

Materials

Insulating material	PA
Flammability class	UL94 V-0
Temperature range	-30°C/+105°C
Terminal block	CuZn
Wire guard	stainless steel
Colour	grey
	RAL 7016

AKZ 120 VERTICAL





AKZ 120/.. DS - 5,08 - H - grey

2-12 poles, Spacing 5,08 mm
insert required no. of poles ..

How to order see page 11

Ratings:

		
Rated voltage	300 V	250 V
Rated current	15 A	24 A (T60)
Wire Size	AWG 22-14	2,5 mm ²
Test voltage		2,0 kV
Rated Torque / Screw Size		0,5 Nm/M3

Max. Rated Cross Section

Single Wire (solid)	2,5 mm ²
Stranded Wire (flexible)	1,5 mm ²
Stranded wire with Ferrules	1,5 mm ²

Dimensions

Spacing	5,08 mm
PCB hole diameter	1,3 mm
Stripped length	6,0 mm

Materials

Insulating material	PA
Flammability class	UL94 V-0
Temperature range	-30°C/+105°C
Terminal block	CuZn
Wire guard	stainless steel
Colour	grey
	RAL 7016

AKZ 120 HORIZONTAL

