

AKZ 250 VERTICAL



AKZ 250/.. - 10,16 - V - green

**2-12 poles, Spacing 10,16 mm
insert required no. of poles ..**

How to order see page 11

Ratings:



Rated Voltage	300 V	1000 V
Rated Current	15 A	13 A (T60)
Wire Size	AWG 28-14	1,5 mm ²
Test Voltage		3,5 kV
Rated Torque / Screw Size		0,5 Nm/M3

Max. Rated Cross Section

Single Wired (solid)	1,5 mm ²
Stranded Wire (flexible)	1,5 mm ²
Stranded wire with Ferrules	1,5 mm ²

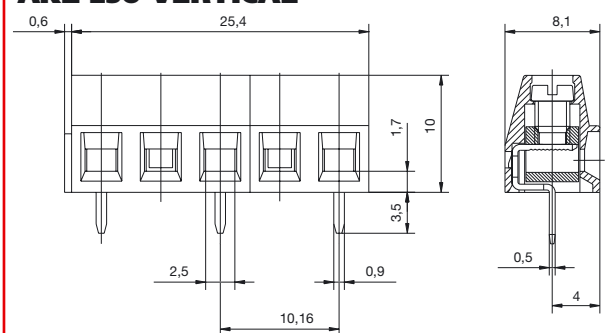
Dimensions

Spacing	10,16 mm
PCB Hole Diameter	1,3 mm
Stripped Length	6,0 mm

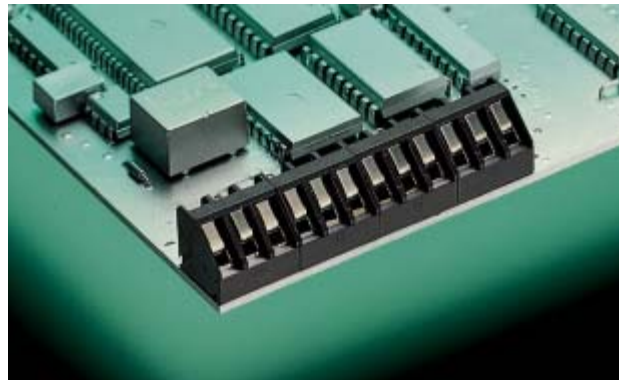
Materials

Insulating Material	PA
Flammability Class	UL94 V-0
Temperature Range	-30°C/+105°C
Terminal Block	CuZn
Wire Guard	Cu
Colour	green
	RAL 6018

AKZ 250 VERTICAL



AK(Z) 300



AK(Z) 300/.. - 5,0 (5,08) - grey

**2-12 poles, Spacing 5,0 mm or 5,08 mm
insert required no. of poles ..**

How to order see page 11

Ratings:



Rated voltage	300 V	250 V
Rated current	15 A	24 A (T60)
Wire Size	AWG 22-12	2,5 mm ²
Test voltage		2,0 kV
Rated Torque / Screw Size		0,5 Nm/M2,6

Max. Rated Cross Section

Single Wire (solid)	2,5 mm ²
Stranded Wire (flexible)	1,5 mm ²
Stranded wire with Ferrules	1,5 mm ²

Dimensions

Spacing	5,0 mm (5,08 mm)
PCB hole diameter	1,3 mm
Stripped length	7,0 mm

Materials

Insulating material	PA
Flammability class	UL94 V-0
Temperature range	-30°C/+105°C
Terminal block	CuZn
Wire guard	Cu
Colour	grey
	RAL 7016

AK(Z) 300

