

### AK 3000/.. - 5,0 - slade grey

**1-n poles, Spacing 5,0 mm adjustable to 5,08 mm  
insert required no. of poles ..**

How to order see page 11

#### Ratings:



Rated Voltage	300 V	250 V
Rated Current	16 A	24 A (T60)
Wire Size	AWG 28-14	2,5 mm <sup>2</sup>
Test Voltage		2,0 kV

#### Max. Rated Cross Section

Single Wire (solid)	2,5 mm <sup>2</sup>
Stranded Wire (flexible)	2,5 mm <sup>2</sup>
Stranded wire with Ferrules	1,5 mm <sup>2</sup>

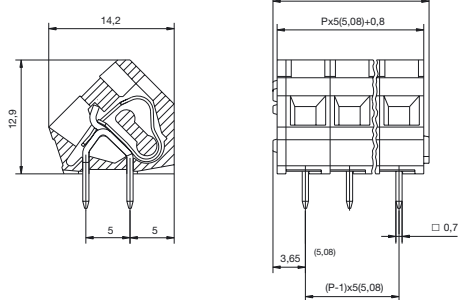
#### Dimensions

Spacing	5,0 mm (5,08 mm)
PCB Hole Diameter	1,0 mm
Stripped Length	6,0 mm

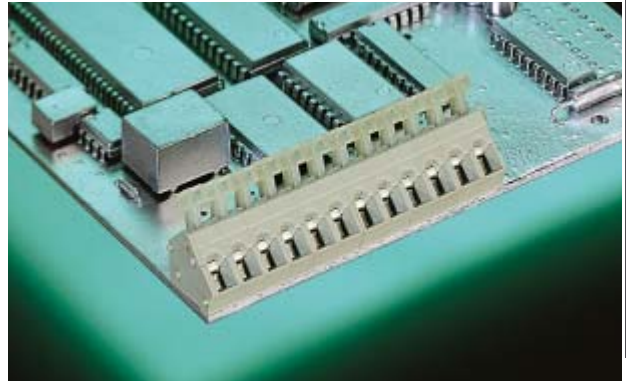
#### Materials

Insulating Material	PA
Flammability Class	UL94 V-0
Temperature Range	-30°C/+105°C
Cage clamp	stainless steel
Wire Guard	Cu
Colour	slade grey
	RAL 7032

### AK 3000



**P = No. of poles**



### AK 3001/.. KD - 5,0 - slade grey

**1-n poles, Spacing 5,0 mm adjustable to 5,08 mm  
insert required no. of poles ..**

How to order see page 11

#### Ratings:



Rated Voltage	300 V	250 V
Rated Current	16 A	24 A (T60)
Wire Size	AWG 28-14	2,5 mm <sup>2</sup>
Test Voltage		2,0 kV

#### Max. Rated Cross Section

Single Wire (solid)	2,5 mm <sup>2</sup>
Stranded Wire (flexible)	2,5 mm <sup>2</sup>
Stranded wire with Ferrules	1,5 mm <sup>2</sup>

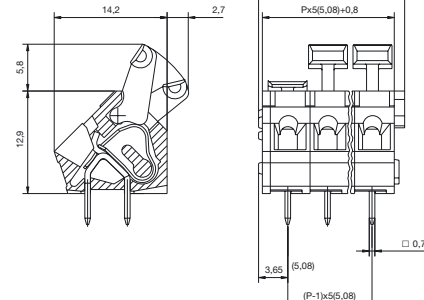
#### Dimensions

Spacing	5,0 mm (5,08 mm)
PCB Hole Diameter	1,0 mm
Stripped Length	6,0 mm

#### Materials

Insulating Material	PA
Flammability Class	UL94 V-0
Temperature Range	-30°C/+105°C
Cage clamp	stainless steel
Wire Guard	Cu
Colour	slade grey
	RAL 7032

### AK 3001



**P = No. of poles**