



AK 3011/.. KD - 7,5 - slade grey

1-n poles, Spacing 7,5 mm adjustable to 7,62 mm
insert required no. of poles ..

How to order see page 11

Ratings:

		
Rated Voltage	300 V	750 V
Rated Current	16 A	24 A (T60)
Wire Size	AWG 28-14	2,5 mm ²
Test Voltage		3,0 kV

Max. Rated Cross Section

Single Wire (solid)	2,5 mm ²
Stranded Wire (flexible)	2,5 mm ²
Stranded wire with Ferrules	1,5 mm ²

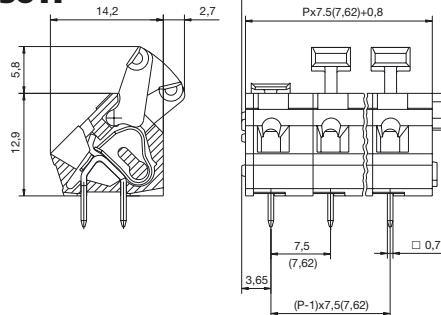
Dimensions

Spacing	7,5 mm (7,62 mm)
PCB Hole Diameter	1,0 mm
Stripped Length	6,0 mm

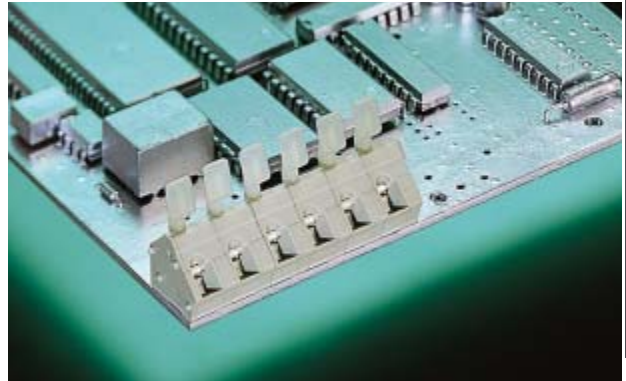
Materials

Insulating Material	PA
Flammability Class	UL94 V-0
Temperature Range	-30°C/+105°C
Cage clamp	stainless steel
Wire Guard	Cu
Colour	slade grey
	RAL 7032

AK 3011



P = No. of poles




AK 3011/.. FD - 7,5 - slade grey

1-n poles, Spacing 7,5 mm adjustable to 7,62 mm
insert required no. of poles ..

How to order see page 11

Ratings:

		
Rated Voltage	300 V	750 V
Rated Current	16 A	24 A (T60)
Wire Size	AWG 28-14	2,5 mm ²
Test Voltage		3,0 kV

Max. Rated Cross Section

Single Wire (solid)	2,5 mm ²
Stranded Wire (flexible)	2,5 mm ²
Stranded wire with Ferrules	1,5 mm ²

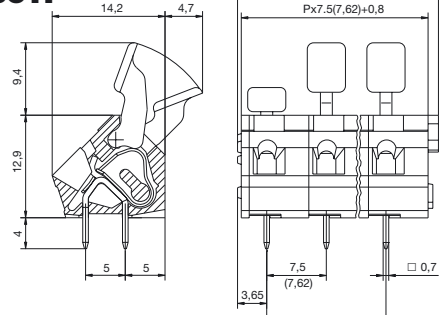
Dimensions

Spacing	7,5 mm (7,62 mm)
PCB Hole Diameter	1,0 mm
Stripped Length	6,0 mm

Materials

Insulating Material	PA
Flammability Class	UL94 V-0
Temperature Range	-30°C/+105°C
Cage clamp	stainless steel
Wire Guard	Cu
Colour	slade grey
	RAL 7032

AK 3011



P = No. of poles