

AK 3020



### AK 3020/.. - 10,0 - slade grey

1-n poles, Spacing 10,0 mm adjustable to 10,16 mm  
insert required no. of poles ..

How to order see page 11

AK 3021



### AK 3021/.. KD - 10,0 - slade grey

1-n poles, Spacing 10,0 mm adjustable to 10,16 mm  
insert required no. of poles ..

How to order see page 11

#### Ratings:



Rated Voltage	300 V	1000 V
Rated Current	16 A	24 A (T60)
Wire Size	AWG 28-14	2,5 mm <sup>2</sup>
Test Voltage		3,5 kV

#### Max. Rated Cross Section

Single Wire (solid)	2,5 mm <sup>2</sup>
Stranded Wire (flexible)	2,5 mm <sup>2</sup>
Stranded wire with Ferrules	1,5 mm <sup>2</sup>

#### Dimensions

Spacing	10,0 mm (10,16 mm)
PCB Hole Diameter	1,0 mm
Stripped Length	6,0 mm

#### Materials

Insulating Material	PA
Flammability Class	UL94 V-0
Temperature Range	-30°C/+105°C
Cage clamp	stainless steel
Wire Guard	Cu
Colour	slade grey
	RAL 7032

#### Ratings:



Rated Voltage	300 V	1000 V
Rated Current	16 A	24 A (T60)
Wire Size	AWG 28-14	2,5 mm <sup>2</sup>
Test Voltage		3,5 kV

#### Max. Rated Cross Section

Single Wire (solid)	2,5 mm <sup>2</sup>
Stranded Wire (flexible)	2,5 mm <sup>2</sup>
Stranded wire with Ferrules	1,5 mm <sup>2</sup>

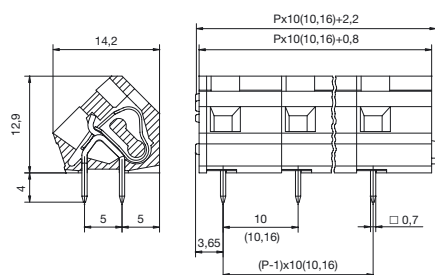
#### Dimensions

Spacing	10,0 mm (10,16 mm)
PCB Hole Diameter	1,0 mm
Stripped Length	6,0 mm

#### Materials

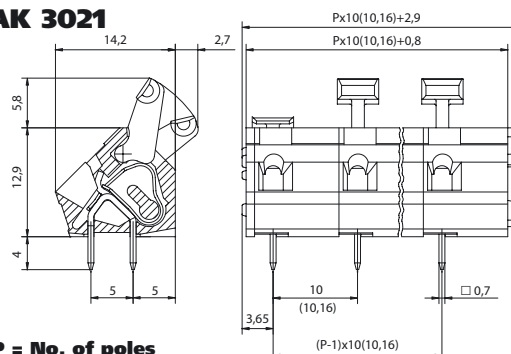
Insulating Material	PA
Flammability Class	UL94 V-0
Temperature Range	-30°C/+105°C
Cage clamp	stainless steel
Wire Guard	Cu
Colour	slade grey
	RAL 7032

### AK 3020



P = No. of poles

### AK 3021



P = No. of poles