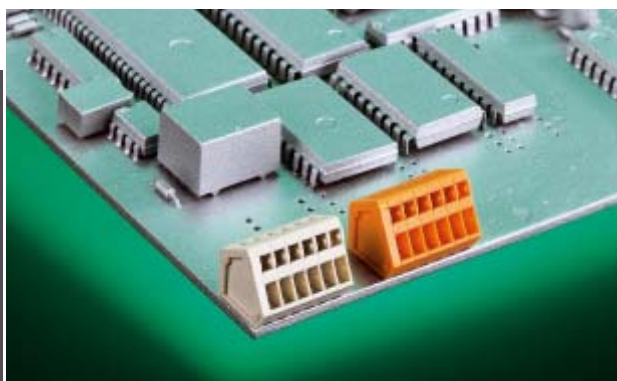




PTR

A Phoenix Mecano Company

AK(Z) 3191

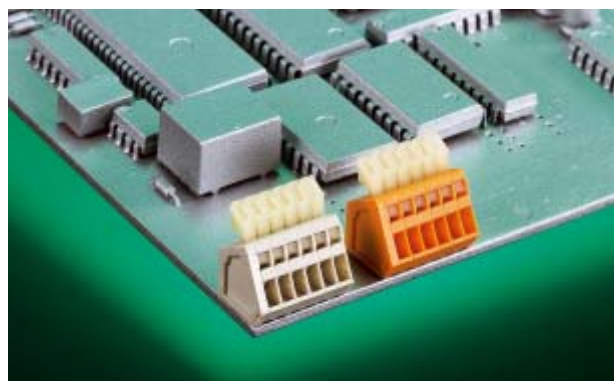


**AK(Z) 3191/.. - 2,5 (2,54)
slade grey (orange)**

**2-n poles, Spacing 2,5 mm or 2,54 mm
insert required no. of poles ..**

How to order see page 11

AK(Z) 3191 KD



**AK(Z) 3191/.. KD - 2,5 (2,54)
slade grey (orange)**

**2-n poles, Spacing 2,5 mm or 2,54 mm
insert required no. of poles ..**

How to order see page 11

Ratings:



Rated Voltage	150 V	130 V
Rated Current	4 A	9 A (T60)
Wire Size	AWG 28-20 s	0,5 mm ² s
Test Voltage		1,25 kV

Ratings:



Rated Voltage	150 V	130 V
Rated Current	4 A	9 A (T60)
Wire Size	AWG 28-20 s	0,5 mm ² s
Test Voltage		1,25 kV

Max. Rated Cross Section

Single Wire (solid)	0,5 mm ²
Stranded Wire (flexible)	on request
Stranded wire with Ferrules	on request

Dimensions

Spacing	2,5 mm (2,54 mm)
PCB Hole Diameter	1,1 mm
Stripped Length	5,0 mm

Materials

Insulating Material	PA
Flammability Class	UL94 V-0
Temperature Range	-30°C/+105°C
Cage clamp	stainless steel
Wire Guard	Cu
Colour	slade grey (orange)
	RAL 7032 (2011)

Max. Rated Cross Section

Single Wire (solid)	0,5 mm ²
Stranded Wire (flexible)	on request
Stranded wire with Ferrules	on request

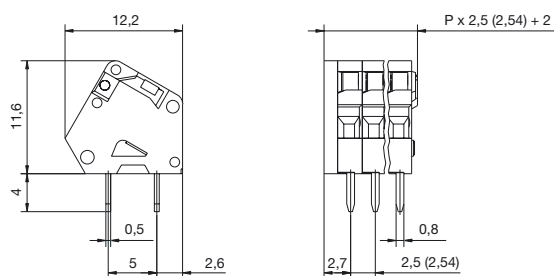
Dimensions

Spacing	2,5 mm (2,54 mm)
PCB Hole Diameter	1,1 mm
Stripped Length	5,0 mm

Materials

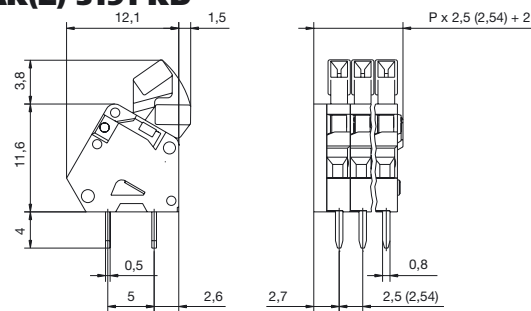
Insulating Material	PA
Flammability Class	UL94 V-0
Temperature Range	-30°C/+105°C
Cage clamp	stainless steel
Wire Guard	Cu
Colour	slade grey (orange)
	RAL 7032 (2011)

AK(Z) 3191



P = No. of poles

AK(Z) 3191 KD



P = No. of poles