

AK(Z) 350/.. - 5,0 (5,08) - V - green

2-12 poles, Spacing 5,0 mm and 5,08 mm
insert required no. of poles ..

How to order see page 11

Ratings:

*factory wiring



Rated Voltage	300 V	250 V
Rated Current	16 A	24 A (T60)
Wire Size	AWG* 28-12	2,5 mm ²
Test Voltage		2,0 kV
Rated Torque / Screw Size		0,5 Nm/M3

Max. Rated Cross Section

Single Wired (solid)	2,5 mm ²
Stranded Wire (flexible)	1,5 mm ²
Stranded wire with Ferrules	1,5 mm ²

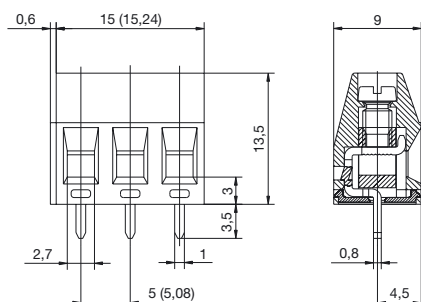
Dimensions

Spacing	5,0 mm (5,08 mm)
PCB Hole Diameter	1,3 mm
Stripped Length	6,0 mm

Materials

Insulating Material	PA
Flammability Class	UL94 V-0
Temperature Range	-30°C/+105°C
Terminal Block	CuZn
Wire Guard	Cu
Colour	green
	RAL 6018

AK(Z) 350 VERTICAL



AK(Z) 350/.. - 10,0 (10,16) - V - green

2-12 poles, Spacing 10,0 mm and 10,16 mm
insert required no. of poles ..

How to order see page 11

Ratings:

*factory wiring



Rated Voltage	300 V	1000 V
Rated Current	16 A	24 A (T60)
Wire Size	AWG* 28-12	2,5 mm ²
Test Voltage		3,5 kV
Rated Torque / Screw Size		0,5 Nm/M3

Max. Rated Cross Section

Single Wired (solid)	2,5 mm ²
Stranded Wire (flexible)	1,5 mm ²
Stranded wire with Ferrules	1,5 mm ²

Dimensions

Spacing	10,0 mm (10,16 mm)
PCB Hole Diameter	1,3 mm
Stripped Length	6,0 mm

Materials

Insulating Material	PA
Flammability Class	UL94 V-0
Temperature Range	-30°C/+105°C
Terminal Block	CuZn
Wire Guard	Cu
Colour	green
	RAL 6018

AK(Z) 350 VERTICAL

