

AK 4100

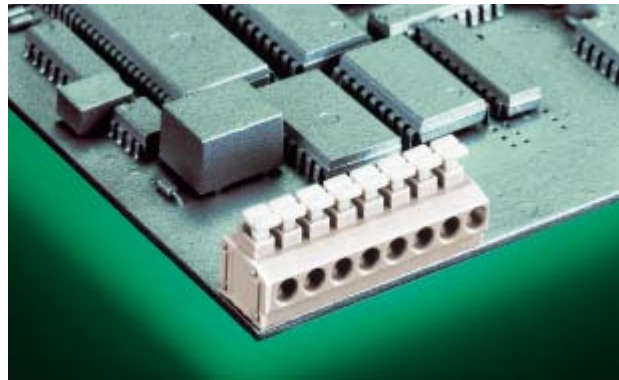


AK 4100/.. - 5,0 - slade grey

**1-n poles, Spacing 5,0 mm
insert required no. of poles ..**

How to order see page 11

AK 4101 KD



AK 4101/.. KD - 5,0 - slade grey

**1-n poles, Spacing 5,0 mm
insert required no. of poles ..**

How to order see page 11

Ratings:



Rated Voltage	300 V	250 V
Rated Current	10 A	17,5 A (T60)
Wire Size	AWG 20-14 s	1,5 mm ² s
Test Voltage		2,0 kV

Max. Rated Cross Section

Single Wire (solid)	2,5 mm ²
Stranded Wire (flexible)	on request
Stranded wire with Ferrules	on request

Dimensions

Spacing	5,0 mm
PCB Hole Diameter	1,0 mm
Stripped Length	9,0 mm

Materials

Insulating Material	PA
Flammability Class	UL94 V-0
Temperature Range	-30°C/+105°C
Tension Spring	stainless steel
Wire Guard	Cu
Colour	slade grey
	RAL 7032

Ratings:



Rated Voltage	300 V	250 V
Rated Current	10 A	17,5 A (T60)
Wire Size	AWG 20-14 s	1,5 mm ² s
Test Voltage		2,0 kV

Max. Rated Cross Section

Single Wire (solid)	1,5 mm ²
Stranded Wire (flexible)	on request
Stranded wire with Ferrules	on request

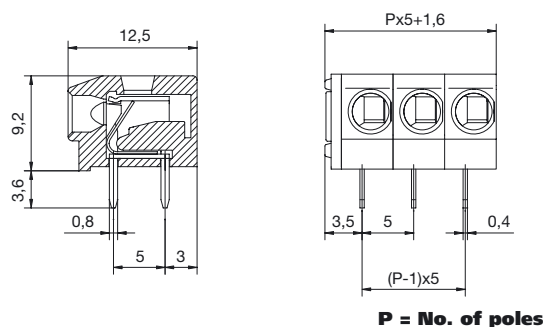
Dimensions

Spacing	5,0 mm
PCB Hole Diameter	1,0 mm
Stripped Length	9,0 mm

Materials

Insulating Material	PA
Flammability Class	UL94 V-0
Temperature Range	-30°C/+105°C
Tension Spring	stainless steel
Wire Guard	Cu
Colour	slade grey
	RAL 7032

AK 4100



AK 4101

