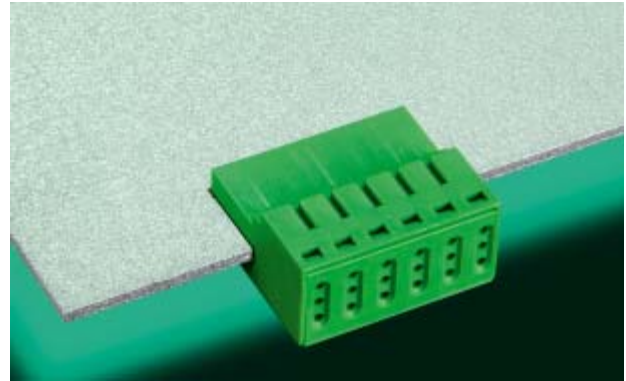


AK 4350/.. - 3,5 - green

2-12 poles, Spacing 3,5 mm
insert required no. of poles ..

How to order see page 11




AK 4350/.. G - 3,5 - green

2-12 poles, Spacing 3,5 mm
insert required no. of poles ..

How to order see page 11

Ratings:

	 acc. DIN EN 61984		
Rated Voltage	150 V	160 V	250 V
Rated Current	5 A	6 A	6 A
Overvoltage Category		III	II
Wire Size	AWG 22-20 s	0,5 mm ² s	0,5 mm ² s
Rating Impulse Voltage / Dirt Level		2,5 kV/3	2,5 kV/2

Max. Rated Cross Section

Single Wire (solid)	0,5 mm ²	0,5 mm ²
---------------------	---------------------	---------------------


Dimensions

Spacing	3,5 mm
PCB thickness	1,5 mm
Stripped Length	8,5 mm

Materials

Insulating Material	PA
Flammability Class	UL94 V-0
Temperature Range	-30°C/+105°C
Terminal Block	stainless steel
Contact	Cu
Colour	green
	RAL 6018

Ratings:

	 acc. DIN EN 61984		
Rated Voltage	150 V	160 V	250 V
Rated Current	5 A	6 A	6 A
Overvoltage Category		III	II
Wire Size	AWG 22-20 s	0,5 mm ² s	0,5 mm ² s
Rating Impulse Voltage / Dirt Level		2,5 kV/3	2,5 kV/2

Max. Rated Cross Section

Single Wire (solid)	0,5 mm ²	0,5 mm ²
---------------------	---------------------	---------------------

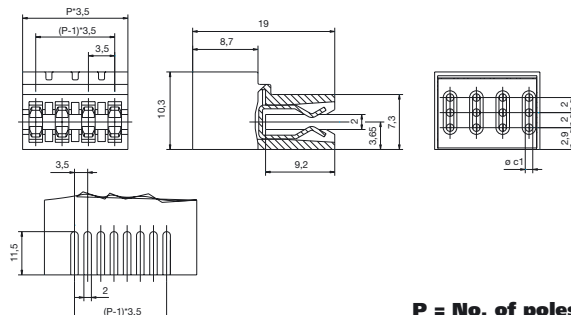
Dimensions

Spacing	3,5 mm
PCB thickness	1,5 mm
Stripped Length	8,5 mm

Materials

Insulating Material	PA
Flammability Class	UL94 V-0
Temperature Range	-30°C/+105°C
Terminal Block	stainless steel
Contact	Cu
Colour	green
	RAL 6018

AK 4350



AK 4350

