



PTR

A Phoenix Mecano Company

AK 2200 VERTICAL



AK 2200/.. - 10,0 - V - green

**1-n poles, Spacing 10,0 mm
insert required no. of poles ..**

How to order see page 11

AK 2200 HORIZONTAL



AK 2200/.. - 10,0 - H - green

**1-n poles, Spacing 10,0 mm
insert required no. of poles ..**

How to order see page 11

Ratings:



Rated Voltage	600 V	1000 V
Rated Current	20 A	24 A (T60)
Wire Size	AWG 30-12	2,5 mm ²
Test Voltage		3,5 kV
Rated Torque / Screw Size		0,5 Nm/M2,5

Max. Rated Cross Section

Single Wired (solid)	2,5 mm ²
Stranded Wire (flexible)	2,5 mm ²
Stranded wire with Ferrules	2,5 mm ²

Dimensions

Spacing	10,0 mm
PCB Hole Diameter	1,3 mm
Stripped Length	9,0 mm

Materials

Insulating Material	PA
Flammability Class	UL94 V-0
Temperature Range	-30°C/+105°C
Clamp cage	Fe/Fe
Wire Guard	Cu
Colour	green
	RAL 6018

Ratings:



Rated Voltage	600 V	1000 V
Rated Current	20 A	24 A (T60)
Wire Size	AWG 30-12	2,5 mm ²
Test Voltage		3,5 kV
Rated Torque / Screw Size		0,5 Nm/M2,5

Max. Rated Cross Section

Single Wired (solid)	2,5 mm ²
Stranded Wire (flexible)	2,5 mm ²
Stranded wire with Ferrules	2,5 mm ²

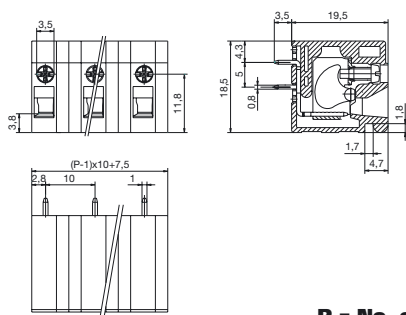
Dimensions

Spacing	10,0 mm
PCB Hole Diameter	1,3 mm
Stripped Length	9,0 mm

Materials

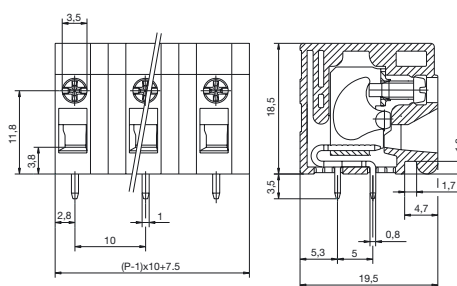
Insulating Material	PA
Flammability Class	UL94 V-0
Temperature Range	-30°C/+105°C
Clamp cage	Fe/Fe
Wire Guard	Cu
Colour	green
	RAL 6018

AK 2200 VERTICAL



P = No. of poles

AK 2200 HORIZONTAL



P = No. of poles