



AK 4291..KD - 3,5 - slade grey

1-n poles, Spacing 3,5 mm
insert required no. of poles ..

How to order see page 11

available pin positions on request

Ratings:

		
Rated Voltage	300 V	130 V
Rated Current	6 A	3 A (T60)
Wire Size	AWG 22-16 s	0,75 mm ² s
Test Voltage		1,25 kV

Max. Rated Cross Section

Single Wired (solid) 1,5 mm²

Dimensions

Spacing 3,5 mm
PCB Hole Diameter 1,0 mm
Stripped Length 9,0 mm

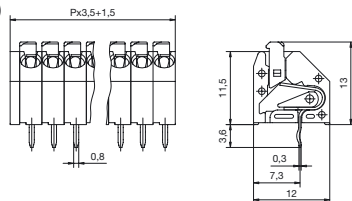
Materials

Insulating Material PA
Flammability Class UL94 V-0
Temperature Range -30°C/+105°C
Contact Cu

Colour

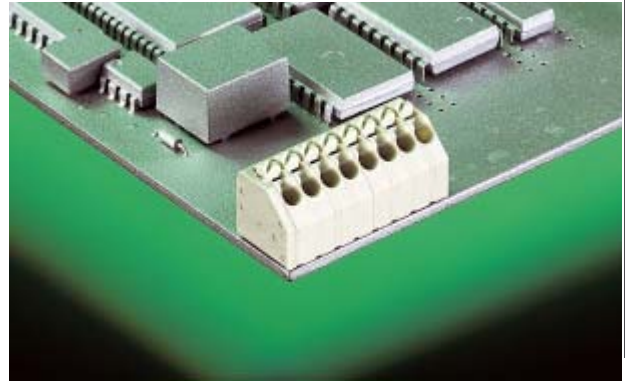
slade grey RAL 7032

AK 4291..KD



P = No. of poles

PCB-component side



AK 4291..KDVP - 3,5 - slade grey

1-n poles, Spacing 3,5 mm
insert required no. of poles ..

How to order see page 11

available pin positions on request

Ratings:

		
Rated Voltage	300 V	250 V
Rated Current	6 A	3 A (T60)
Wire Size	AWG 22-16 s	0,75 mm ² s
Test Voltage		1,25 kV

Max. Rated Cross Section

Single Wired (solid) 1,5 mm²

Dimensions

Spacing 3,5 mm
PCB Hole Diameter 1,0 mm
Stripped Length 9,0 mm

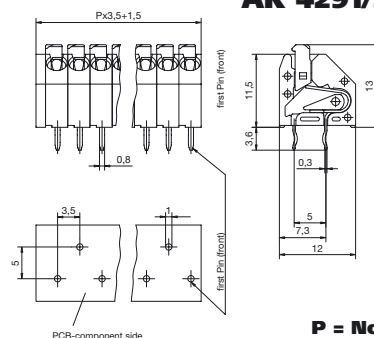
Materials

Insulating Material PA
Flammability Class UL94 V-0
Temperature Range 30°C/+105°C
Contact Cu

Colour

slade grey RAL 7032

AK 4291..KDVP



P = No. of poles

PCB-component side