



AKZ 1710/.. - 3,81 - green

2-20 poles, Spacing 3,81 mm
insert required no. of poles ..

How to order see page 11

Ratings:

		
Rated Voltage	300 V	160 V
Rated Current	8 A	9 A (T60)
Oversvoltage Category		III
Wire Size	AWG 28-16	1,5 mm ²
Rating Impulse Voltage / Dirt Level		4 kV/3
Rated Torque / Screw Size		0,4 Nm/M2

Max. Rated Cross Section

Single Wire (solid)	1,5 mm ²
Stranded Wire (flexible)	1,0 mm ²
Stranded wire with Ferrules	1,0 mm ²

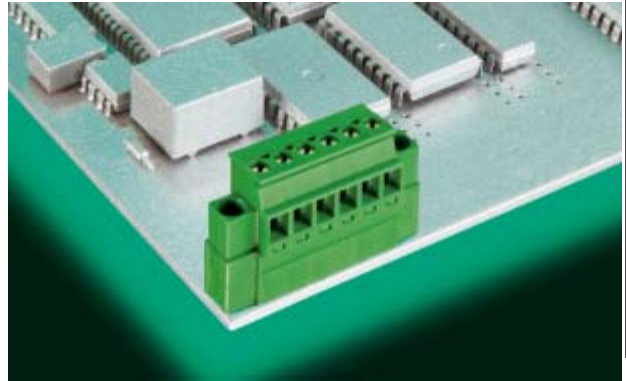
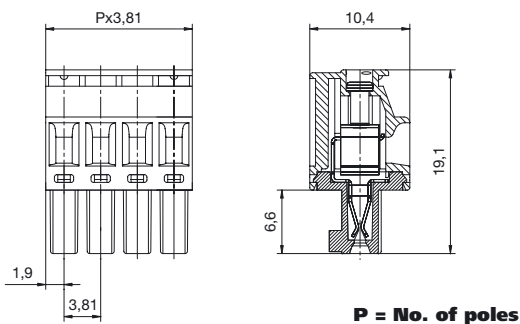
Dimensions

Spacing	3,81 mm
Stripped Length	7,0 mm

Materials

Insulating Material	PA
Flammability Class	UL94 V-0
Temperature Range	-30°C/+105°C
Terminal Block	CuZn
Contact	CuSn
Colour	green
	RAL 6018

AKZ 1710





AKZ 1710/.. F - 3,81 - green

2-20 poles, Spacing 3,81 mm
insert required no. of poles ..

How to order see page 11

Ratings:

*approval pending

		
Rated Voltage	300 V	160 V
Rated Current	8 A	9 A (T60)
Oversvoltage Category		III
Wire Size	AWG 28-16	1,5 mm ²
Rating Impulse Voltage / Dirt Level		2,5 kV/3
Rated Torque / Screw Size		0,4 Nm/M2

Max. Rated Cross Section

Single Wire (solid)	1,5 mm ²
Stranded Wire (flexible)	1,0 mm ²
Stranded wire with Ferrules	1,0 mm ²

Dimensions

Spacing	3,81 mm
Stripped Length	7,0 mm

Materials

Insulating Material	PA
Flammability Class	UL94 V-0
Temperature Range	-30°C/+105°C
Terminal Block	CuZn
Contact	CuSn
Colour	green
	RAL 6018

AKZ 1710 Flange

