

AKZ 4301



**AKZ 4301/.. - KD - 5,08 - slade grey**

**2-7 poles, Spacing 5,08 mm  
insert required no. of poles ..**

How to order see page 11

**Ratings:**



Rated Voltage	300 V	250 V
Rated Current	16 A	17,5 A (T60)
Wire Size	AWG 22-14 s	1,5 mm <sup>2</sup> s
Test Voltage		2,0 kV

**Max. Rated Cross Section**

Single Wire (solid)	1,5 mm <sup>2</sup>
Stranded Wire (flexible)	on request
Stranded wire with Ferrules	on request

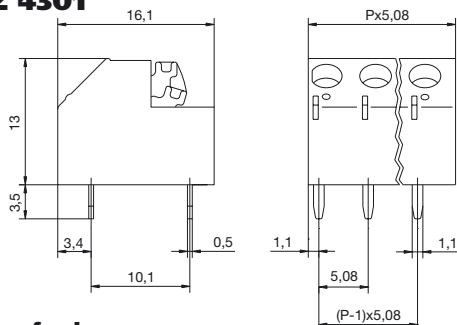
**Dimensions**

Spacing	5,08 mm
PCB Hole Diameter	1,3 mm
Stripped Length	10,0 mm

**Materials**

Insulating Material	PA
Flammability Class	UL94 V-0
Temperature Range	-30°C/+105°C
Tension Spring	stainless steel
Wire Guard	Cu
Colour	slade grey
	RAL 7032

**AKZ 4301**



**P = No. of poles**

# Projects

We plan and compile  
the optimal solution  
for your project.