





AKZS 950/..F - 5,08 - green

2-24 poles, Spacing 5,08 mm  
insert required no. of poles ..  
mountable in combination with TS 32 and TS 35

How to order see page 11

## Ratings:

		
Rated Voltage	300 V	250 V
Rated Current	15 A	12 A (T60)
Overtoltage Category		III
Wire Size	AWG 28-12	2,5 mm <sup>2</sup>
Rating Impulse Voltage / Dirt Level		4 kV / 3
Rated Torque / Screw Size		0,5 Nm/M3

## Max. Rated Cross Section

Single Wire (solid)	2,5 mm <sup>2</sup>
Stranded Wire (flexible)	2,5 mm <sup>2</sup>
Stranded Wire with Ferrules	2,5 mm <sup>2</sup>

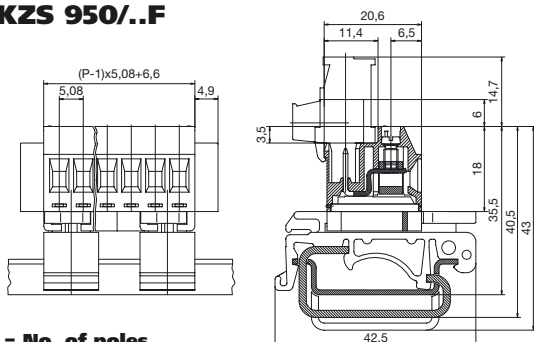
## Dimensions

Spacing	5,08 mm
Stripped Length	6,0 mm
DIN Rail	TS32 DIN EN 60715 TS35 DIN EN 60715

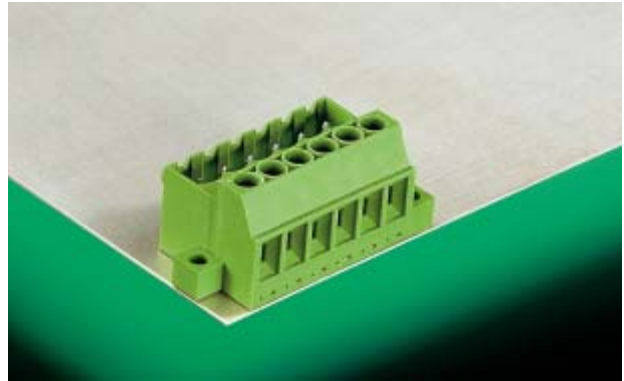
## Materials

Insulating Material	PA
Flammability Class	UL94 V-0
Temperature Range	-30°C/+105°C
Terminal Block	CuZn
Wire Guard	Cu
Colour	green
	RAL 6018

AKZS 950/..F



P = No. of poles





AKZS 950/..GMB - 5,08 - green

2-24 poles, Spacing 5,08 mm  
insert required no. of poles ..

How to order see page 11

## Ratings:

		
Rated Voltage	300 V	250 V
Rated Current	15 A	12 A (T60)
Overtoltage Category		III
Wire Size	AWG 28-12	2,5 mm <sup>2</sup>
Rating Impulse Voltage / Dirt Level		4 kV / 3
Rated Torque / Screw Size		0,5 Nm/M3

## Max. Rated Cross Section

Single Wire (solid)	2,5 mm <sup>2</sup>
Stranded Wire (flexible)	2,5 mm <sup>2</sup>
Stranded Wire with Ferrules	2,5 mm <sup>2</sup>

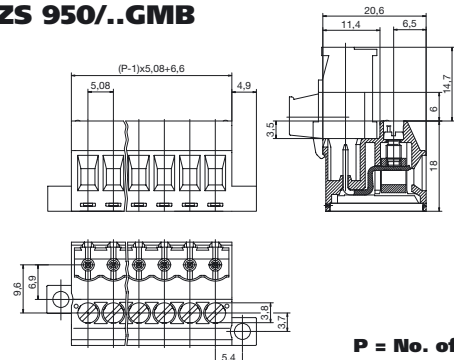
## Dimensions

Spacing	5,08 mm
Stripped Length	6,0 mm

## Materials

Insulating Material	PA
Flammability Class	UL94 V-0
Temperature Range	-30°C/+105°C
Terminal Block	CuZn
Wire Guard	Cu
Colour	green
	RAL 6018

AKZS 950/..GMB



P = No. of poles