

THR-Variant





STL 1300/.. - 3,5 - V - black - HT

2-24 poles, Spacing 3,5 mm  
insert required no. of poles ..

How to order see page 11

Ratings:

	* 	* 
Rated Voltage	300 V	160 V
Rated Current	8 A	5 A (T60)
Overvoltage Category		III
Rating Impulse Voltage/Dirt Level		2,5 kV/3

\*approval pending

Dimensions

Spacing	3,5 mm
PCB Hole Diameter	1,3 mm

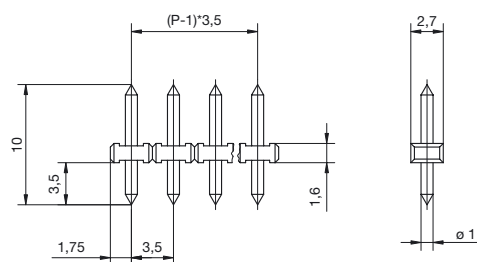
Materials

Insulating Material	LCP
Flammability Class	UL94 V-0
Temperature Range	-30°C/+105°C
Contact Pin	Cu

Colour

black

STL 1300 VERTICAL



P = No. of poles

THR-Variant





STL 1400/.. - 3,5 - H - black - HT

2-24 poles, Spacing 3,5 mm  
insert required no. of poles ..

How to order see page 11

Ratings:

	* 	* 
Rated Voltage	300 V	160 V
Rated Current	8 A	5 A (T60)
Overvoltage Category		III
Rating Impulse Voltage/Dirt Level		2,5 kV/3

\*approval pending

Dimensions

Spacing	3,5 mm
PCB Hole Diameter	1,3 mm

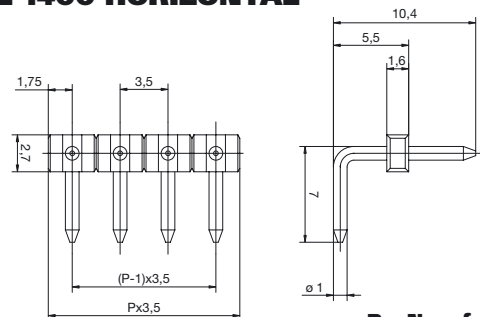
Materials

Insulating Material	LCP
Flammability Class	UL94 V-0
Temperature Range	-30°C/+105°C
Contact Pin	Cu

Colour

black

STL 1400 HORIZONTAL



P = No. of poles