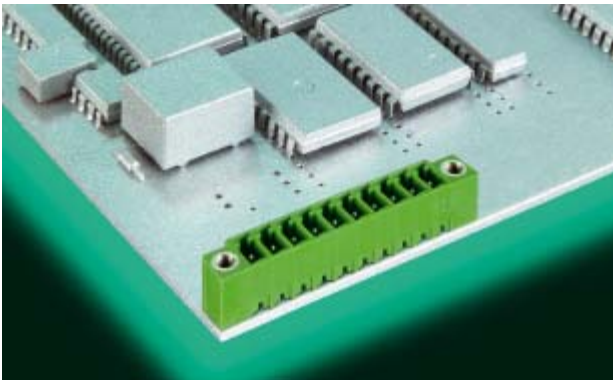


STL(Z) 1550 VERTICAL



STL(Z) 1550/.. F - 3,5 (3,81) - V - green

**2-20 poles, Spacing 3,5 mm and 3,81 mm
insert required no. of poles ..**

How to order see page 11

STL(Z) 1550 HORIZONTAL





STL(Z) 1550/.. F - 3,5 (3,81) - H - green



**2-20 poles, Spacing 3,5 mm and 3,81 mm
insert required no. of poles ..**

How to order see page 11

Ratings:

		
Rated Voltage	300 V	160 V
Rated Current	8 A	9 A (T60)
Overvoltage Category		III
Rating Impulse Voltage/Dirt Level		2,5 kV/3

Ratings:

		
Rated Voltage	300 V	160 V
Rated Current	8 A	9 A (T60)
Overvoltage Category		III
Rating Impulse Voltage/Dirt Level		2,5 kV/3

Dimensions

Spacing	3,5 mm (3,81 mm)
PCB Hole Diameter	1,2 mm

Materials

Insulating Material	PA
Flammability Class	UL94 V-0
Temperature Range	-30°C/+105°C
Contact Pin	Cu

Colour
green

RAL 6018

Dimensions

Spacing	3,5 mm (3,81 mm)
PCB Hole Diameter	1,2 mm

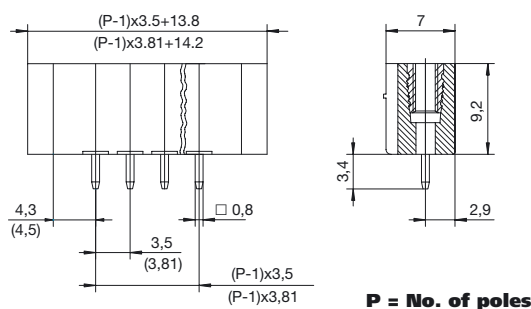
Materials

Insulating Material	PA
Flammability Class	UL94 V-0
Temperature Range	-30°C/+105°C
Contact Pin	Cu

Colour
green

RAL 6018

STL(Z) 1550 VERTIKAL Flange



STL(Z) 1550 HORIZONTAL Flange

