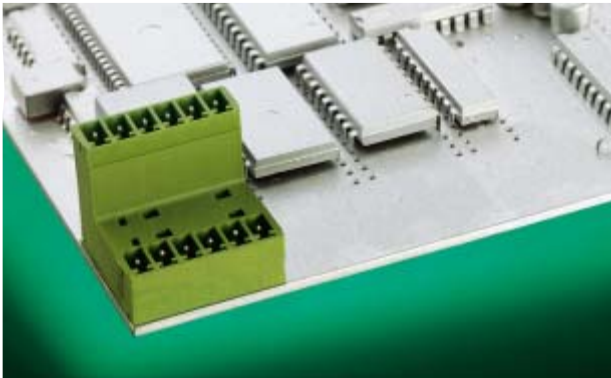


STLZ 1570 VERTICAL





STLZ 1570/.. G - 3,81 - V - green

**2-20 poles, Spacing 3,81 mm
insert required no. of poles ..**

How to order see page 11

with screw-flange on request

Ratings:

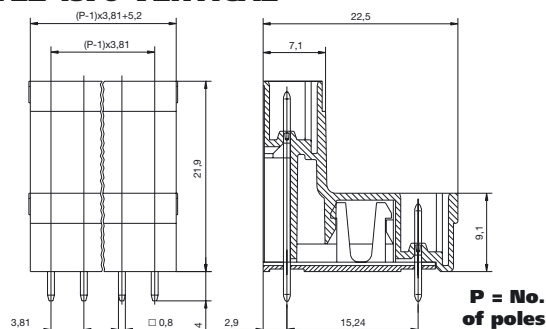
		
Rated Voltage	300 V	160 V
Rated Current	8 A	9 A (T60)
Overvoltage Category		III
Rating Impulse Voltage/Dirt Level		2,5 kV/3

Dimensions	
Spacing	3,81 mm
PCB Hole Diameter	1,2 mm

Materials	
Insulating Material	PBTP
Flammability Class	UL94 V-0
Temperature Range	-30°C/+105°C
Contact Pin	Cu

Colour	
green	RAL 6018

STLZ 1570 VERTICAL



STLZ 1570 HORIZONTAL





STLZ 1570/.. G - 3,81 - H - green

**2-20 poles, Spacing 3,81 mm
insert required no. of poles ..**

How to order see page 11

with screw-flange on request

Ratings:

		
Rated Voltage	300 V	160 V
Rated Current	8 A	9 A (T60)
Overvoltage Category		III
Rating Impulse Voltage/Dirt Level		2,5 kV/3

Dimensions	
Spacing	3,81 mm
PCB Hole Diameter	1,2 mm

Materials	
Insulating Material	PBTP
Flammability Class	UL94 V-0
Temperature Range	-30°C/+105°C
Contact Pin	Cu

Colour	
green	RAL 6018

STLZ 1570 HORIZONTAL

