





STLZ 1590/.. G - 3,81 - green

**2-20 poles, Spacing 3,81 mm
insert required no. of poles ..**

How to order see page 11

Ratings:

		
Rated Voltage	300 V	160 V
Rated Current	8 A	9 A (T60)
Overtoltage Category		III
Rating Impulse Voltage/Dirt Level		2,5 kV/3

Dimensions

Spacing	3,81 mm
PCB Hole Diameter	1,2 mm

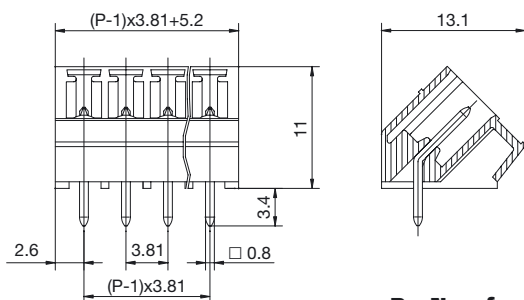
Materials

Insulating Material	PBTP
Flammability Class	UL94 V-0
Temperature Range	-30°C/+105°C
Contact Pin	Cu

Colour

green	RAL 6018
-------	-----------------

STLZ 1590



P = No. of poles

Projects

We plan and compile
the optimal solution
for your project.