



STLZ 960/.. - 7,62 - V - green

**2-16 poles, Spacing 7,62 mm
insert required no. of poles ..**

How to order see page 11

Ratings:

| | | |
|-----------------------------------|---|---|
| |  |  |
| Rated Voltage | 300 V | 400 V |
| Rated Current | 15 A | 12 A (T60) |
| Overtoltage Category | | III |
| Rating Impulse Voltage/Dirt Level | | 6 kV/3 |

Dimensions

| | |
|-------------------|----------------|
| Spacing | 7,62 mm |
| PCB Hole Diameter | 1,4 mm |

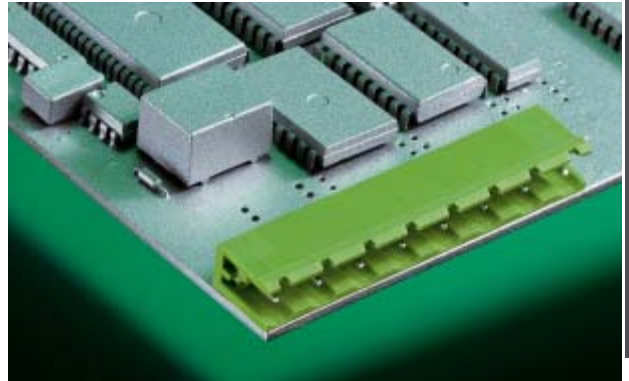
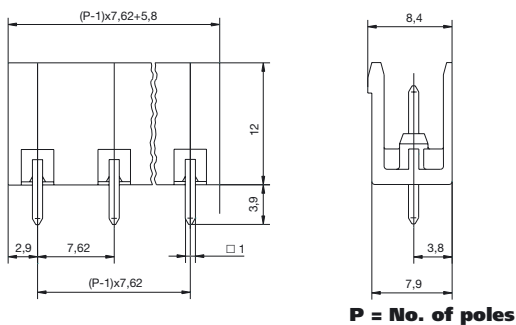
Materials

| | |
|---------------------|---------------------|
| Insulating Material | PA |
| Flammability Class | UL94 V-0 |
| Temperature Range | -30°C/+105°C |
| Contact Pin | Cu |

Colour

| | |
|-------|-----------------|
| green | RAL 6018 |
|-------|-----------------|

STLZ 960 VERTICAL





STLZ 960/.. - 7,62 - H - green

**2-16 poles, Spacing 7,62 mm
insert required no. of poles ..**

How to order see page 11

Ratings:

| | | |
|-----------------------------------|---|---|
| |  |  |
| Rated Voltage | 300 V | 400 V |
| Rated Current | 15 A | 12 A (T60) |
| Overtoltage Category | | III |
| Rating Impulse Voltage/Dirt Level | | 6 kV/3 |

Dimensions

| | |
|-------------------|----------------|
| Spacing | 7,62 mm |
| PCB Hole Diameter | 1,4 mm |

Materials

| | |
|---------------------|---------------------|
| Insulating Material | PA |
| Flammability Class | UL94 V-0 |
| Temperature Range | -30°C/+105°C |
| Contact Pin | Cu |

Colour

| | |
|-------|-----------------|
| green | RAL 6018 |
|-------|-----------------|

STLZ 960 HORIZONTAL

