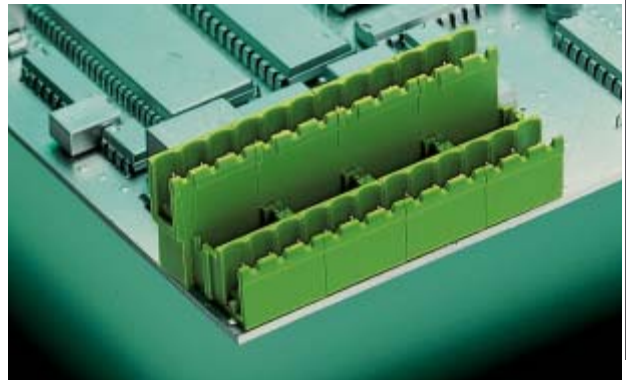


**STLZ 970 Side Wall**





**STLZ 970/.. - 5,08 - V - green**



**2-12 poles, Spacing 5,08 mm  
insert required no. of poles ..**

How to order see page 11

**Ratings:**

		
Rated Voltage	300 V	250 V
Rated Current	15 A	12 A (T60)
Overvoltage Category		III
Rating Impulse Voltage/Dirt Level		4 kV/3

**Ratings:**

		
Rated Voltage	300 V	250 V
Rated Current	15 A	12 A (T60)
Overvoltage Category		III
Rating Impulse Voltage/Dirt Level		4 kV/3

**Materials**

Insulating Material	PA/PBTP
Flammability Class	UL94 V-0
Temperature Range	-30°C/+105°C

**Colour**  
green

RAL 6018

**Dimensions**

Spacing	5,08 mm
PCB Hole Diameter	1,4 mm

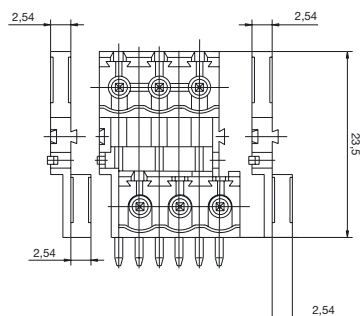
**Materials**

Insulating Material	PA/PBTP
Flammability Class	UL94 V-0
Temperature Range	-30°C/+105°C
Contact Pin	Cu

**Colour**  
green

RAL 6018

**Side Wall  
STLZ 970**



**STLZ 970 VERTICAL**

