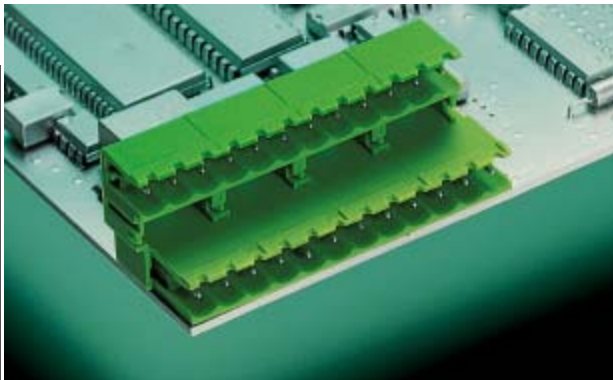


STLZ 970 HORIZONTAL





STLZ 970/.. - 5,08 - H - green

**2-12 poles, Spacing 5,08 mm
insert required no. of poles ..**

How to order see page 11

Ratings:

		
Rated Voltage	300 V	250 V
Rated Current	15 A	12 A (T60)
Overtoltage Category		III
Rating Impulse Voltage/Dirt Level		4 kV/3

Dimensions

Spacing	5,08 mm
PCB Hole Diameter	1,4 mm

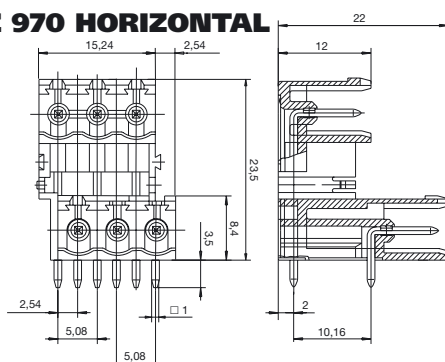
Materials

Insulating Material	PA/PBTP
Flammability Class	UL94 V-0
Temperature Range	-30°C/+105°C
Contact Pin	Cu

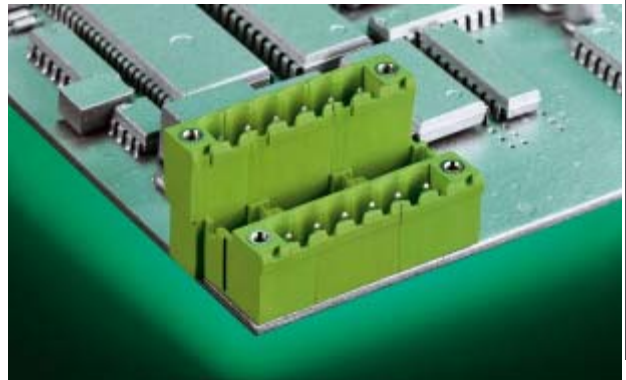
Colour
green

RAL 6018

STLZ 970 HORIZONTAL



STLZ 970 F VERTICAL





STLZ 970/.. F - 5,08 - V - green

**2-12 poles, Spacing 5,08 mm
insert required no. of poles ..**

How to order see page 11

Ratings:

		
Rated Voltage	300 V	250 V
Rated Current	15 A	12 A (T60)
Overtoltage Category		III
Rating Impulse Voltage/Dirt Level		4 kV/3

Dimensions

Spacing	5,08 mm
PCB Hole Diameter	1,4 mm

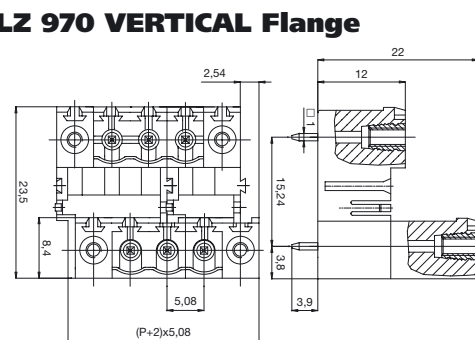
Materials

Insulating Material	PA/PBTP
Flammability Class	UL94 V-0
Temperature Range	-30°C/+105°C
Contact Pin	Cu

Colour
green

RAL 6018

STLZ 970 VERTICAL Flange



P = No. of poles